



## PARTS MANUAL

# MODEL K241 10HP

**Engine Specs 4600 — 46858**

Generator Specs 5100-51291

### HOW TO FIND YOUR PART NUMBER

**1** Refer to the Composite Exploded View on page 2 (Grid A2). It contains major engine components boxed and identified by Group Number. Examine these groups for your part. After you locate your part, record the Group Number.

If the part you need is not illustrated, locate a major engine component related to your part and use this component to identify the Group Number.

**2** Obtain the Spec Number from the nameplate attached to the engine shrouding. Refer to the Spec Number Index beginning on page 3 (Grid A3). Listed vertically on the left are Spec Numbers. Listed horizontally across

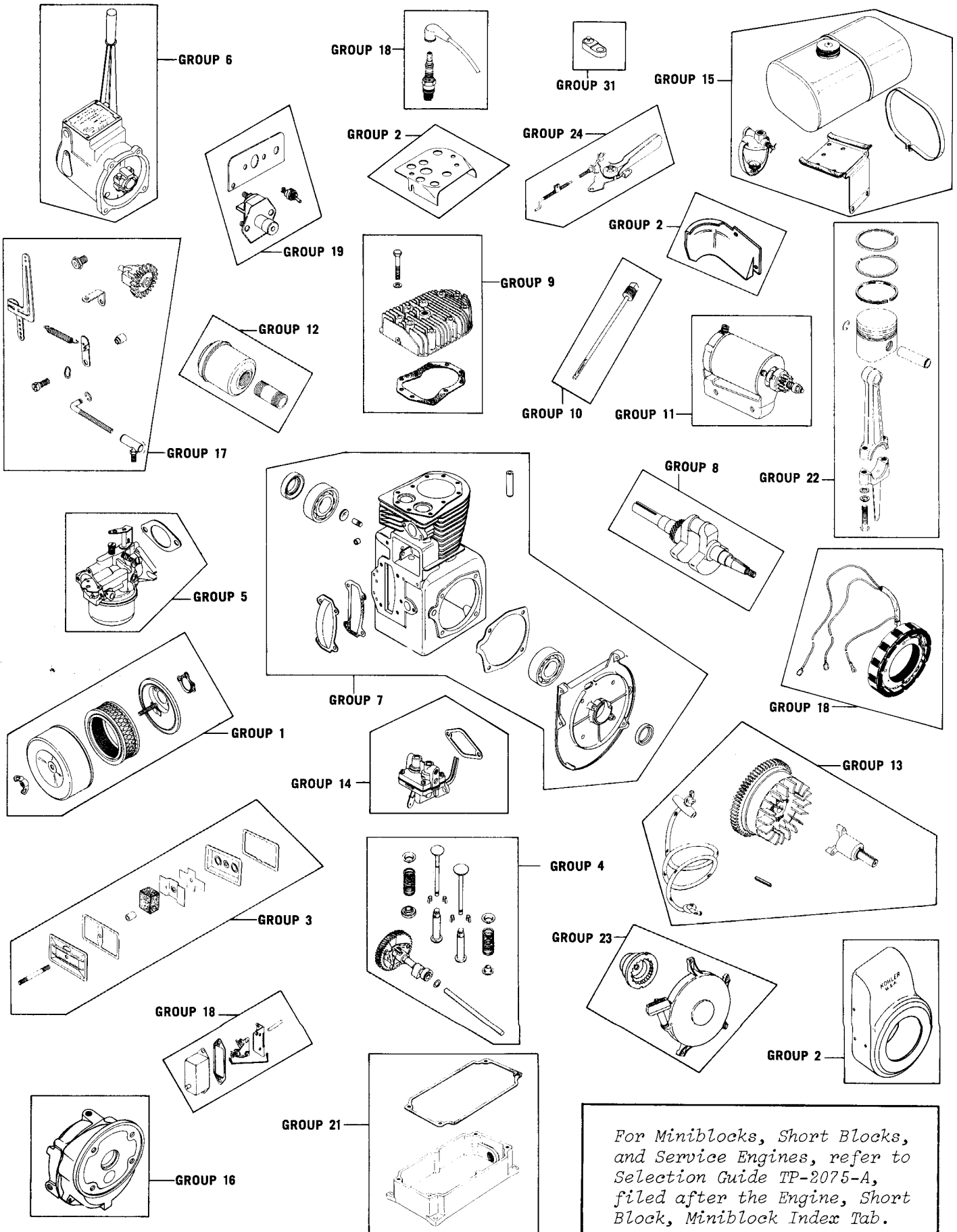
the top are Group Numbers and their titles, and Page Numbers.

Locate your Spec Number. Follow horizontally from your Spec Number to the Group Number column. Where these two columns meet is the Variation Number of your part. Record that Variation Number.

**3** Refer to the page (or grid) where your part is listed. Locate the part in the illustration, use its identifying index number to locate the part name in the listing. Find the Variation Number of your part in those listed below the part name. Your part number is listed to the right of the Variation Numbers.

Illustrations are not intended to show the exact detail for all variations covered.

# COMPOSITE EXPLODED VIEW



*For Miniblocks, Short Blocks, and Service Engines, refer to Selection Guide TP-2075-A, filed after the Engine, Short Block, Miniblock Index Tab.*

**SPEC. NO.  
INDEX**

GROUP TITLE	1	2	3	4	5	6	7	8	9	10	11	12	13	14	15	16	17	18	19	21	22	23	24	31	
	AIR INTAKE	BAFFLES & SHROUD	BREATHER & VENT	CAVSHAFT & VALVES	CARBURETOR	CLUTCH	CRANKCASE	CRANKSHAFT	CYLINDER HEAD	DIPSTICK	ELECTRIC START	EXHAUST	FLYWHEEL	FUEL PUMP	FUEL TANK	GEAR REDUCTION	GOVERNOR	IGNITION	INSTRUMENT PANEL	OIL PAN	PISTON & ROD	RETRACTABLE START	REMOTE THROTTLE	HIGH TEMP. CUTOUT	
Group No.	1	2	3	4	5	6	7	8	9	10	11	12	13	14	15	16	17	18	19	21	22	23	24	31	
PAGE NO.	17	19	21	22	23	28	29	30	31	32	34	44	45	48	49	51	53	55	58	59	60	61	62	62	
SPEC. NO.	VARIATION NUMBER																								
4600	1	1	3	12	1		1	1	21	1		1	6	20	1		9	1		1	1				
4601	1	1	3	12	1		1	1	20	1		1	1	20			9	1		1	1				
4602	1	3	3	12	1		1	1	1	1	1	1	1	20	2		9	2	1	2	1				
4604	1	1	3	12	1		4	1	21	1		1	6	20	1		9	1		1	1				
4610	1	1	3	11	1		6	1	21	1		1	6	20	1		9	1		1	2				
4614	4	1	3	11	1		7	9	21	2		3	6	20	1		9	15		1	1				
4615	4	3	3	12	1		7	9	21	2	1	3	1	20	2		9	8	1	2	1				
4616	14	2	3	11	1		1	1	21	1		1	6	20	1		17	1		1	1		1		
4623	4	1	3	11	1		7	9	20	2		3	6	20			9	15		1	1			1	
4624	4	3	3	12	1		7	9	21	2	1	3	1	20			9	8	1	2	1				
4625*	5	10	1	5	1		9	1	1	1	1	1	1	2			1	7	2	2	1				
4629	1	3	3	12	1		7	1	21	2	1	1	1	20	2		7	2	352	2	1				
4632	5	1	3	12	1		1	9	21	1		5	6	20	1		4	1		1	1				
4638	1	1	2	12	1	1	2	12	21	2		1	6	20	1		9	1		1	1				
4642*	1	12	3	11	1	1	12	1	21	2	4	1	5	19	451		7	2	3	1	2			3	
4645	1	10	3	13	1		9	13	21	1	6	1	12	20	2		9	7	2	2	1				
4653*		13	3	12	1		1		20	1	405	1	2	20			9	1	2	1	1				
4665	1	10	3	13	1		9	1	21	1	10	1	11	20	2		9	7	2	2	1				
4666*	4	3	3	11	1		22	9	21	2	406	3	6	20	2		9	16	8	2	1				
4667*	4	3	3	11	1		22	9	20	2	406	3	6	20			1	16	8	2	1				
4671	1	1	3	11	1		12	1	20	2		1	6	19			7	1		1	2			3	
4672	1	2	3	12	1		1	1	21	1		1	6	20	1		7	1		1	1			1	
4673	14	10	3	13	1		9	1	21	1	10	1	11	20	2		7	7	2	2	1			2	
4685	4	1	3	12	1		17	1	20	1		3	6	6			9	1		1	1				
4690	1	10	3	5	1		9	8	2	1	6		12	2			1	7	2	2	1				
4691*	14	62	3	13	27		89	1	21	2	43	1	30	23	452		9	17		1	1				
4695	1	1	3	11	1		1	1	21	1		1	6	20	1		9	1		1	1				
46104	1	1	3	1	1		27	1	10	1		1	6	1	1		7	1		1	1			4	
46105	1	12	3	11	1		12	1	21	2	19	1	6	19	1		7	2	3	2	1			3	
46106	1	15	3	5	1		9	1	20	1	10	1	11	1	2		7	7	2	2	1			1	
46107*	1	12	3	13	1		43	1	21	1	18	1	11	25			9	7	7	2	1			4	
46108	1	10	3	13	1	1	20	12	21	2	10	1	11	20	2		9	7	2	2	1				
46109*	5	12	3	13	10		9	8	23	1	407	1	13	7			7	12		1	1				
46111*	1	10	3	14	1		26	24	20	2	408		14	20			800	7		1	2				
46118*	1	15	3	14	1		16	1	21	2	409	1	11	20	2		7	7	9	2	1			1	
46119	1	1	3	11	1		6	2	21	1		1	6	20	4		6	5		1	2				
46121	1	2	3	11	1	1	1	12	21	2		1	6	20	1		7	1		1	1			1	
46122*	15	23	3	13	19		15	1	21	2	410	12	22	3			800	19		14	1				
46126*	23	27	3	14	13		26	24	20	2	418		14	3			9	25		4	2				
46131*	1	10	3	13	1		9	8	20	1	10		11	19			9	7	2	2	1				
46135*	5	19	3	13	15		30	1	26	4	23	405	11	21			7	17		15	1			8	
46140	4	1	3	11	1		7	9	21	2		3	6	20	1		9	15		1	1				
46148*	5	12	3	13	10		37	8	23	1	407		13	402			800	12		1	1				
46149*	4	1	3	11	1		7	9	20	2		6	402				9	15		1	1				
46150*	15	12	3	13	1		26	19	21	2	419	405	27	19			800	23		1	1				
46157	14	10	3	5	1		16	8	12	2	10	1	11	1			1	7		2	1				
46161*	4	3	3	11	1		22	9	20	2	406		6	402			9	16	8	2	1				
46163*	4	24	3	12	20		31	1	21	1	10	3	6	20	2		800	20		2	1				
46164	5	12	3	15	8		39	30	21	6	16	2	24	13			1	7		17	2				
46166		1	3	11	1		1	1	20	1		1	6	19			9	1		1	1			2	
46171	14	1	3	12	1		19	21	21	1		1	6	20	1	3	9	1		1	1				
46172	1	2	3	12	1		6	31	21	1		1	6	20	1		7	1		1	1			1	
46175	14	1	3	12	1		1	1	21	1		1	6	20	1		9	1		1	1				
46177	15	1	3	12	1		7	8	20	2		1	6	22			9	1		1	1				
46178*	15	1	3	12	1		22	8	20	2	32	1	26	22			9	2		2	1				
46179	16	25	3	13	16		40	27	23	3	24	14	25	3	5		9	18		12	3			9	
46188	14	10	3	5	1		9	1	12	1	10		11	1			1	7	2	2	1				
46190*	14	1	3	12	1		60	1	21	1		407	28	3	453		1	36		1	1				
46195	14	1	3	11	1		6	1	21	1		1	6	20	1		9	1		1	1				
46196	14	1	3	12	1	1	2	12	21	2		1	6	20	1		9	1		1	1				

\*Accessories: See Page 63.

#Basic Engine

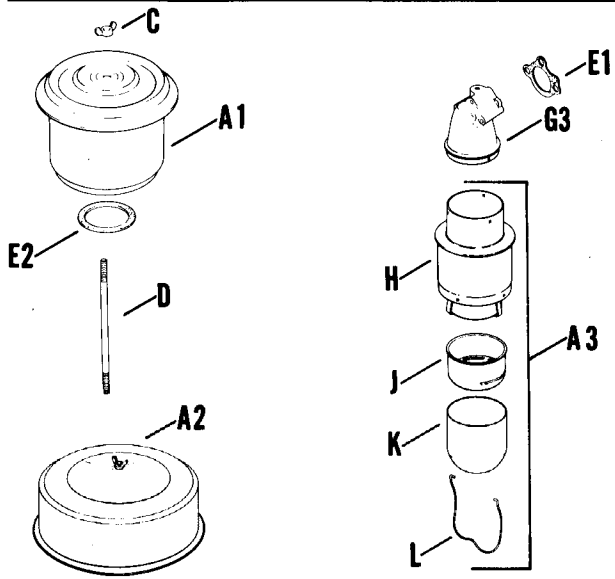
## GENERATOR SET SPEC. NO. INDEX

GROUP TITLE	AIR INTAKE	BAFFLES & SHROUD	BREATHER & VENT	CAMSHAFT & VALVES	CARBURETOR	CRANKCASE	CRANKSHAFT	CYLINDER HEAD	DIPSTICK	EXHAUST	FLYWHEEL	FUEL PUMP	FUEL TANK	GOVERNOR	IGNITION	OIL PAN	PISTON & ROD	RETRACTABLE START	HIGH TEMP. CUTOUT
	1	2	3	4	5	7	8	9	10	12	13	14	15	17	18	21	22	23	31
Group No.	17	19	21	22	23	29	30	31	32	44	45	48	49	53	55	59	60	61	62
PAGE NO.	17	19	21	22	23	29	30	31	32	44	45	48	49	53	55	59	60	61	62
SPEC. NO.	V A R I A T I O N N U M B E R																		
51253E	17	125	3	11	40	169	64	21	38	402	109	43		2	93	39	2		
51254E	17	127	3	11	2	102	64	38	2	36	54	42		2	64	3	2		
51255E	17	75	3	11	6	102	64	39	2	403	49	47	28	2	65	3	2	2	2
51256E	17	125	3	21	55	169	64	21	38	28	109	3		2	93	39	2		2
51257E	17	7	3	21	51	102	64	38	2	4	54	3		2	64	3	2		
51258E	17	5	3	21	51	102	64	21	2	4	70	3		2	64	3	2		
51259E	14	127	3	11	2	102	64	39	2	404	54	47	28	2	64	3	2		
51260E	33	127	5	11	52	169	64	38	38	2	121	43		33	64	40	2		
51261E	17	127	3	11	2	102	64	38	2	36	54	42		2	64	3	2		
51262E	14	11	3	11	6	102	64	21	2		72	42		2	65	3	2		
51263E	33	127	5	11	52	108	64	38	24	2	121	43		2	64	43	2		
51264E	17	125	3	11	40	169	64	21	38	28	109	43		2	93	39	2		
51265E	17	127	3	11	2	102	64	38	2	36	54	42		2	64	3	2		
51266E	17	125	3	11	40	169	64	21	38	28	109	43		2	93	39	2		
51267E	17	22	3	21	51	108	64	21	1	31	70	3		2	64	36	2		
51268E	17	7	3	21	51	102	64	38	2	4	54	3		2	64	3	2		
51269E	17	7	3	21	51	102	64	38	2	4	54	3		2	64	3	2		
51270E	17	5	3	21	51	102	64	21	2	4	70	3		2	64	3	2		
51271E	17	75	3	11	6	102	64	39	2	403	49	47		2	65	3	2	2	2
51272E	14	127	3	11	2	102	64	39	2	404	54	47		2	64	3	2		
51273E	17	7	3	21	51	102	64	38	2	4	54	3		2	64	3	2		
51274E	17	7	3	21	51	102	64	38	2	4	54	3		2	64	3	2		
51275E	33	127	5	11	52	108	64	38	24	2	127	43		2	64	43	2		
51276E	17	4	3	11	6	102	64	38	2		54	42		2	65	3	2		
51277E	204	37	3	11	6	108	64	21	1	31	108	45		2	66	36	2		
51278E	17	5	3	21	51	102	64	21	2	4	70	3		2	64	3	2		
51279E	17	22	3	21	51	108	64	21	1	31	70	3		2	64	36	2		
51280E	17	125	3	11	40	169	64	21	38	28	109	43		2	93	39	2		2
51281E	17	75	3	11	6	102	64	39	2	403	49	47		2	65	3	2	2	2
51282E	17	125	3	11	40	169	64	21	38	28	109	43		2	93	39	2		2
51283E	33	127	5	11	52	108	64	38	24	2	127	43		2	64	43	2		
51284E	17	7	3	21	51	102	64	38	2	4	54	3		2	64	33	2		
51285E	17	125	3	11	40	169	64	21	38	28	109	43		2	93	39	2		2
51286E	17	22	3	21	51	108	64	21	1	31	70	3		2	64	36	2		
51287E	14	37	3	21	51	108	64	21	1	31	108	3		2	66	36	2		
51288E	17	4	3	11	6	102	64	38	2		54	42		2	65	3	2		
51289E	17	125	3	11	40	169	64	21	38	28	109	43		2	93	39	2		2
51290E	17	125	3	11	40	169	64	21	38	28	109	43		2	93	39	2		2
51291E	17	75	3	11	6	102	64	39	2	403	49	47		2	65	3	2	2	2

Gasket Set: See Page 65.

Contact your Kohler engines parts supplier for any specification not listed.

**1 AIR INTAKE**



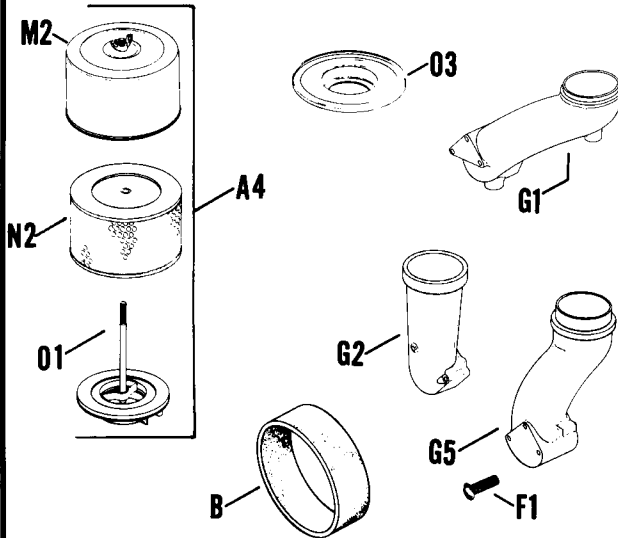
INDEX LTR.	DESCRIPTION VARIATION NUMBER	PART NUMBER	QTY.
E3	Gasket, adapter 7,23	275792	1
E4	Gasket, air horn 39,42,47	47 041 02	1
F1	Screw, H.C. #10 - 32 x 2-1/4 1,2,12,15,20,24,29,32,33, 203,206,211	X-50-37	3
	3,6,202	X-50-37	1
	Screw, H.C. #10 - 32 x 1-1/2 3,6,202	X-50-57	2
	5,204,208	X-50-57	3
	Screw, H.C. #10 - 32 x 2 4	X-50-58	3
F2	Screw, H.C. #10 - 32 x 5/16 14,16,17,18,25,30,31,34, 37,52	X-167-2	3
G1	Elbow, air cleaner 1,2,15,20,24,29,32,203	235167	1
	33	236229	1

INDEX LTR.	DESCRIPTION VARIATION NUMBER	PART NUMBER	QTY.
------------	------------------------------	-------------	------

Use stock of original part number before ordering replacement.

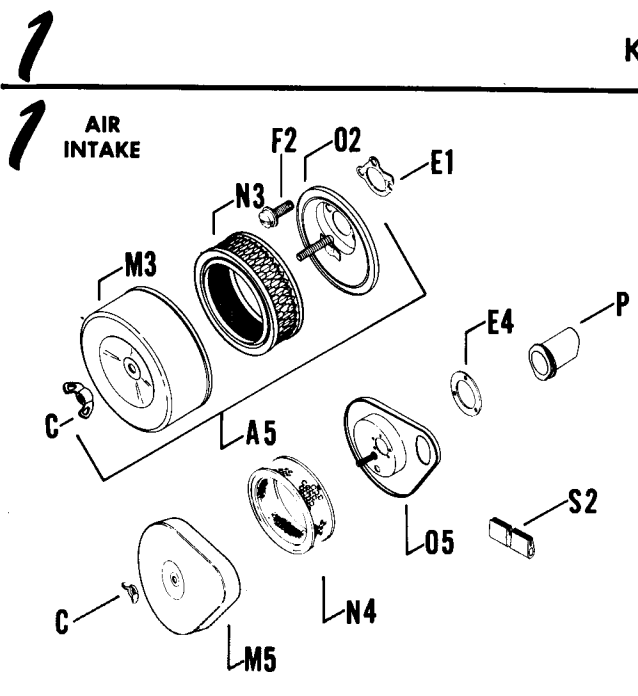
A1	Cleaner, air 1,32,203	151834	1
A2	Cleaner, air 3,12,202,206	272461	1
A3	Cleaner, air - assembly (Includes H, J, K & L) 5,204,207	A-230538	1
A4	Cleaner, air - assembly (Includes M2, N2 & O1) 7	A-275789	1
A5	Cleaner, air - assembly (Includes C, M3, N3 & O2) 14,17,30,52,209	A-235100	1
B	Precleaner, element (May be used with filter element 235116)	237421	1
C	Nut, wing 17,14,15,16,17,18,20,24, 25,29,30,31,32,33,34,37, 39,42,47,50,52,203,209, 211	X-276-7	1
D	Stud, cleaner 1/4 - 20 x 6-5/8 1,32	210186-1	1
	Stud 1/4 - 20 x 4-7/8 15,24,29,33	235156	1
E1	Gasket, air horn 1,2,3,4,5,6,8,11,12,14, 15,16,17,18,20,24,25,29, 30,31,32,33,34,37,50,51, 52,202,203,204,206,207, 208,209,210	275341	1
E2	Gasket, cleaner 1,15,20,24,29,32,33,211	AC-1787	1

G2	Elbow, air cleaner 3,6,202 51	275259 48 054 08	1 1
G3	Elbow, air cleaner 5,8,204,207	235553	1
G4	Elbow, air cleaner 7,23	235340	1
G5	Elbow, air cleaner 11,12,206	275714	1
H	Body, upper 5,204,207	232561	1
J	Baffle, air cleaner 5,204,207	231415	1
K	Cup, air cleaner 5,204,207	231414	1



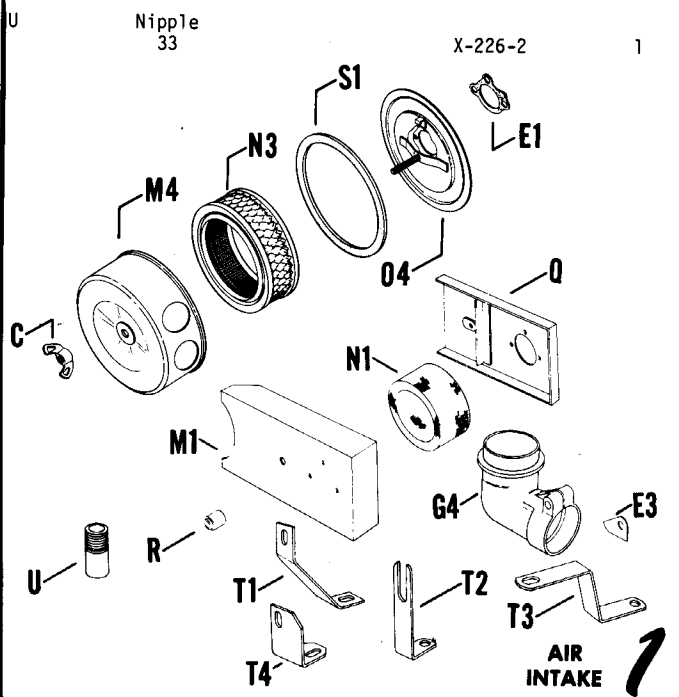
**AIR INTAKE 1**

K241



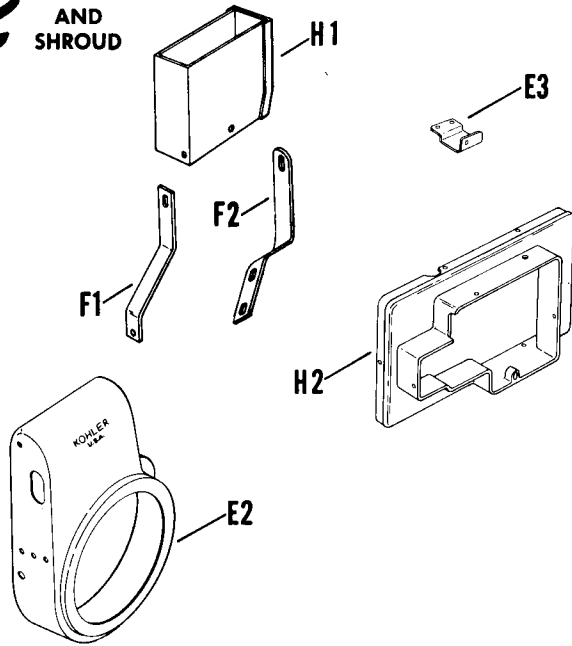
INDEX LTR.	DESCRIPTION VARIATION NUMBER	PART NUMBER	QTY.
O3	Base, cleaner 15,20,24,29,33,209,211	235123	1
O4	Base, cleaner 37	237424	1
O5	Base, cleaner 39,47	47 094 08	1
	42	47 094 07	1
P	Tube 39,42,47	47 134 02	1
Q	Duct, heat 4	235307	1
R	Spacer 4	X-400-56	1
S1	Seal, air cleaner 37	237423	1
S2	Seal, air cleaner 39,42,47	47 032 03	1
T1	Brace, air cleaner 1,2,15,20,24,29,32,33, 203	235339	1
	12	235291	1
T2	Brace, air cleaner 3	235064	1
T3	Brace, air cleaner 5,8,204,207	235539	1
	7,23	235341	1
	12	235292	1
T4	Brace, air cleaner (Discontinued--Not Available) 11,206	235578	1

INDEX LTR.	DESCRIPTION VARIATION NUMBER	PART NUMBER	QTY.
L	Fastener, oil cup 5,204,207	231416	1
M1	Cover, heat duct 4	235306	1
M2	Cover, air cleaner 7	267705	1
	211	277142	1
M3	Cover, cleaner 14,15,16,17,18,24,25, 29,30,31,33,34,50,52, 208,209,210	235102	1
M4	Cover, cleaner 37	237848	1
M5	Cover, cleaner 39,47	47 082 03	1
	42	47 082 01	1
N1	Element, filter 4	235308	1
N2	Element, filter 7	267502	1
	211	277138	1
N3	Element, filter 14,15,16,17,18,20,24,25, 29,30,31,33,34,37,50,52, 209,210	235116	1
N4	Element, filter 39,47	47 083 03	1
	42	47 083 01	1
O1	Base, cleaner 7	267698	1
O2	Base, cleaner 14,16,17,18,25,30,31,34, 50,52,208,209,210	235101	1





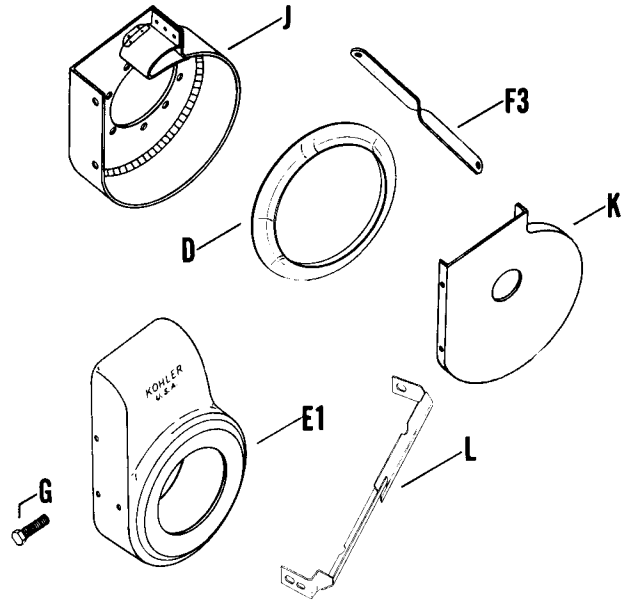
2 Baffles and Shroud



INDEX LTR.	DESCRIPTION VARIATION NUMBER	PART NUMBER	QTY.
F1	Bracket, scroll 5,11	235204	1
F2	Bracket, scroll 22,37	235435	1
F3	Bracket, scroll 111	236718	1
G	Screw, hex. hd. 1/4 - 20 x 7/8	X-465-1	2
	78	X-465-1	4
	Screw, hex. hd. 1/4 - 20 x 5/8	X-465-2	4
	52	X-465-2	4
	78	X-465-2	2
	Screw, hex. hd. 1/4 - 20 (Use after serial no. 7158393) 144,150,152	47 086 02	1
H1	Duct, air 8,14,22,37,85	235595	1
H2	Duct, air 144,150,152	47 281 06	1
	147	47 281 04	1

INDEX LTR.	DESCRIPTION VARIATION NUMBER	PART NUMBER	QTY.
(E1-CONTINUED)			
	78,94,110	236680	1
	83	236690	1
	95	236985	1
	96	236865	1
	100	237030	1
	101	236843	1
	105	237275	1
	123	237519	1
	124	237627	1
	126	237525	1
	140	237890	1
	Housing, blower (Discontinued--Not Available) 11	235163	1
E2	Housing, blower 104,167	237110	1
	144,150	47 027 07	1
	147,152	47 027 05	1
	148	47 027 08	1
	155	47 027 19	1
	158	47 027 27	1
E3	Bracket, duct support 144,147,150,152	47 126 08	1

J	Scroll 5,8,11,22,85,106	235586	1
	13	235241	1
	14,37	235096	1
	111	236717	1
	125	237475	1

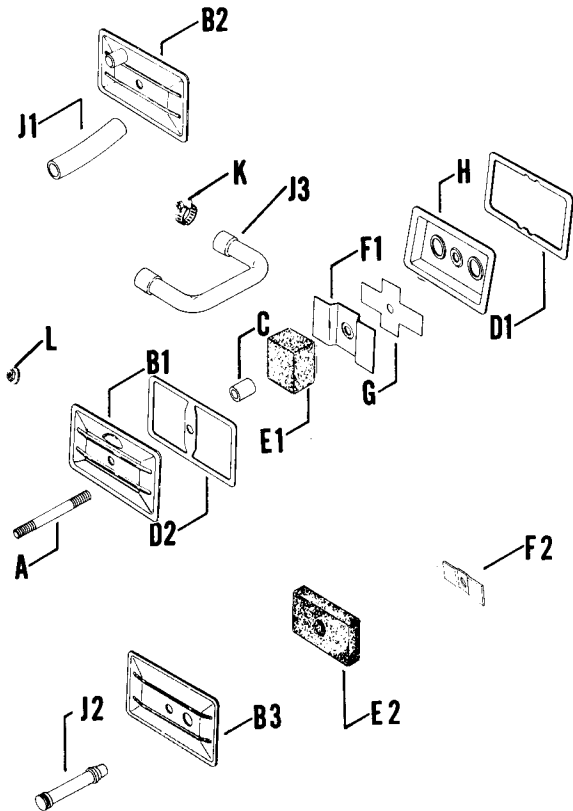


BAFFLES AND SHROUD 2



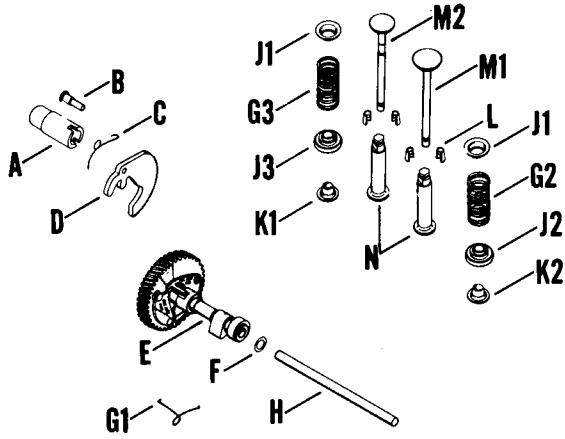
INDEX LTR.	DESCRIPTION VARIATION NUMBER	PART NUMBER	QTY.	INDEX LTR.	DESCRIPTION VARIATION NUMBER	PART NUMBER	QTY.	
K	Cover, scroll 5,8,22,85	235587	1	A	Stud, valve cover 1,3,5,6,7	275220	1	
	11,14,37,106	235592	1		4	235551	1	
	13	235240	1	B1	Cover, valve - assembly (Includes 275143 cover, 235117 baffle & 235118 filter)	1	A-235418-S	1
	111	275824	1		Cover, valve (Standard) 3,4	275143	1	
	125	237476	1		Cover, valve (Closed) 5,7	275839	1	
L	Deflector (Discontinued--Not Available) 83	236687	1	B3	Cover, valve (Closed) 6	47 096 01	1	
	95	236847	1	C	Seal, breather 1,3,4,5,6,7	231032	1	

**3 BREATHER AND VENT**



D1	Gasket, breather plate 1,3,4,5,6,7	235048	1
D2	Gasket, valve cover 3,4,5,6,7	275144	1
E1	Filter 3,4,5,7	235118	1
E2	Filter 6	47 050 01	1
F1	Baffle 3,4,5,7	235117	1
F2	Stop, breather reed 6	270146	1
G	Reed, breather 1,3,4,5,6,7	235047	1
H	Plate, breather 1,3,4,5,6,7	235631	1
J1	Hose 1/2 I.D. x 3-1/8 5	X-484-2	1
J2	Hose, breather 6	47 326 01	1
J3	Hose 7	47 326 02	1
K	Clamp, hose 7	X-429-3	1
	Clamp, hose 7	X-429-9	1
L	Palnut 1/4-20 7	X-799-1	1

**4 CAMSHAFT AND VALVES**



INDEX LTR.	DESCRIPTION VARIATION NUMBER	PART NUMBER	QTY.
A	Cam, ignition (Magneto)	235188	1
	Cam, ignition (Battery)	235690	1
B	Pin, flyweight	230080	2
C	Spring, governor	275267	2
D	Flyweight, spark advance	230087	2
E	Camshaft - assembly (Includes G) (Use H-235646 on engines with "D" or later spec suffix) 1,3,5,11,12,13,14,15,17,21	J-235675	1
	Camshaft - assembly (Engines with "D" or higher spec suffix)	J-235646	1
	Camshaft - assembly 20	H-237664	1
	Camshaft - assembly (Replaced by 45 010 04) (Includes G) 22	45 010 01	1
F	Spacer, camshaft .005 ALL	275066	A.R.
	Spacer, camshaft .010 ALL	275067	A.R.

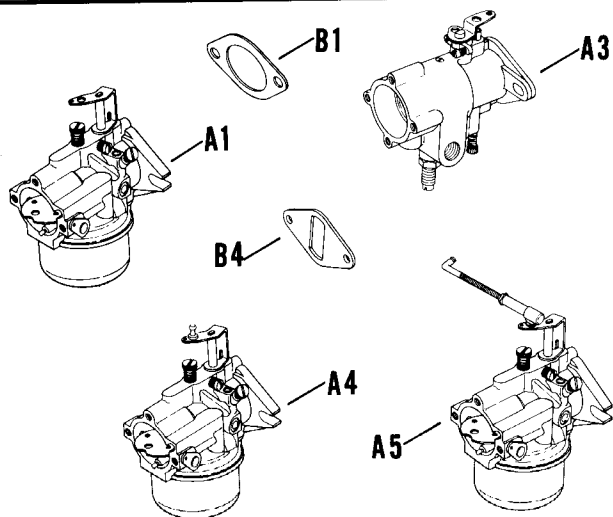
Parts identified by Index Letters A thru D were used on engines prior to spec suffix "D".

Use stock of original part number before ordering replacement.

INDEX LTR.	DESCRIPTION VARIATION NUMBER	PART NUMBER	QTY.
G1	Spring, actuating ALL (except 20)	47 089 01	1
G2	Spring, intake valve 1,3,5,11,12,13,14,20,21,22	235010	1
	15,17	235168	1
G3	Spring, exhaust valve 1,5,12,13,21	235010	1
	3,11,14,15,17,20	235168	1
H	Pin, camshaft ALL	235053	1
J1	Retainer, spring upper ALL	235011	2
J2	Retainer, intake valve spring 1,3,5,11,12,13,14,20,21,22	230011	1
J3	Retainer, exhaust valve spring 1,5,12,13,21	230011	1
K1	Rotator, exhaust valve spring 3,11,14,15,17,20	230020	1
K2	Rotator, intake valve spring 15,17	230020	1
L	Kit, retainer ALL	41 755 10	2
M1	Valve, intake 1,3,5,11,12,13,14,20,21,22	235008	1
	Valve, intake (Stellite) 15,17	235582	1
M2	Valve, exhaust 1,5,12,13,22	235826	1
	Valve, exhaust (Stellite) 3,11,14,15,17,20,21	235838	1
N	Tappet - assembly ALL	D-235327	2

Automatic Compression Release Camshafts  
Parts "A" through "D" are the only serviceable parts for the old style camshaft assembly (A-235155). If replacement of a complete camshaft is necessary, the Automatic Compression Release Camshaft J-235675 or J-235646 should be used.

**5** CARBURETOR

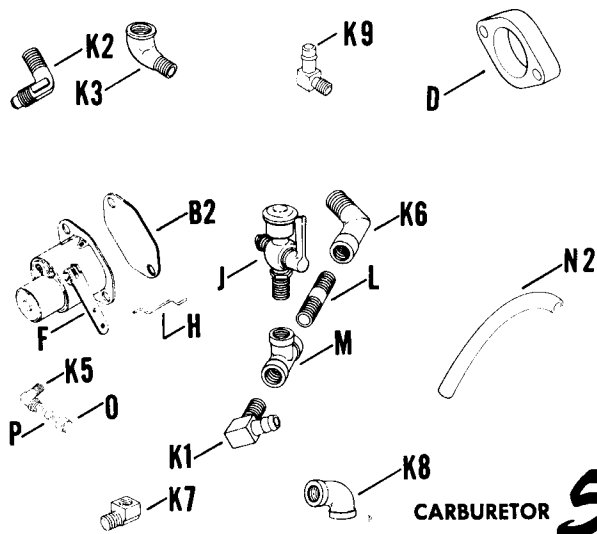


INDEX LTR.	DESCRIPTION VARIATION NUMBER	PART NUMBER	QTY.
A4	Carburetor - assembly (Grid B10) 61	47 053 07	1
	62,70	47 053 08	1
A5	Carburetor - assembly (Grid B10) 63,65	47 053 13	1
	64	47 053 19	1
B1	Gasket, carburetor ALL (except 61,62,63,64)	271030	1
	64	47 041 03	1
B2	Gasket, choke 2,3,5,8,11,40,52,66	240285	1
B3	Gasket 3,5,7,26,31	270550	1
B4	Gasket, carburetor 61,62,63,70	47 049 01	1
C	Stud, carburetor 4,13	220304	2
D	Flange, carburetor 4,13	275793	1
E1	Regulator, gas (Includes 151377 filter) 3,5,7,11,13,26,31,51,53,55	B-230695	1
E2	Regulator, gas 4	A-240492	1
E3	Regulator, gas 44,60	B-220578	1
F	Choke, automatic 2,3,5,8,11	230426	1
	66	47 175 01	1
	Choke, automatic (Replaced by 238095) 40,52	235776	1

INDEX LTR.	DESCRIPTION VARIATION NUMBER	PART NUMBER	QTY.
------------	------------------------------	-------------	------

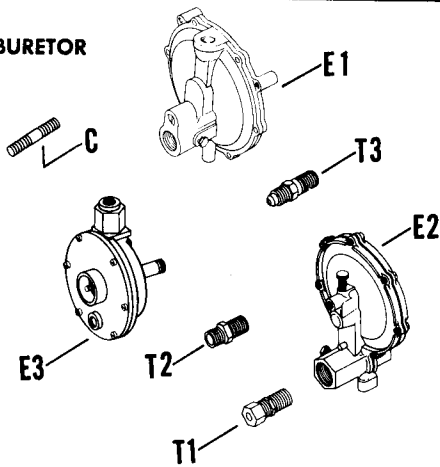
Use stock of original part number before ordering replacement.

A1	Carburetor - assembly (Replaced by 47 053 14) (Grid B10 ) 1,20,25,33,50,603	A-237003	1
	Carburetor - assembly (Grid B10 ) 2,3,5,11,40,52,66	E-235501	1
	6,7,26,31	E-235517	1
	8	A-236271	1
	28,59	A-235580	1
	57	A-237918	1
	Carburetor - assembly (Replaced by 47 053 12) (Grid B10 ) 15,16,19,23,29,30,34,37,54	E-235058	1
	Carburetor - assembly (Replaced by 47 053 13) (Grid B10 ) 10,22,27,35,36,39,41,42,45,47,600	A-237772	1
	Carburetor - assembly (Grid B10) 74	47 053 29	1
A2	Carburetor (Not Shown)* 4	A-235502	1
	13	A-275364	1
A3	Carburetor - assembly (Grid B11 ) 44,51,53,55,60	A-237208	1



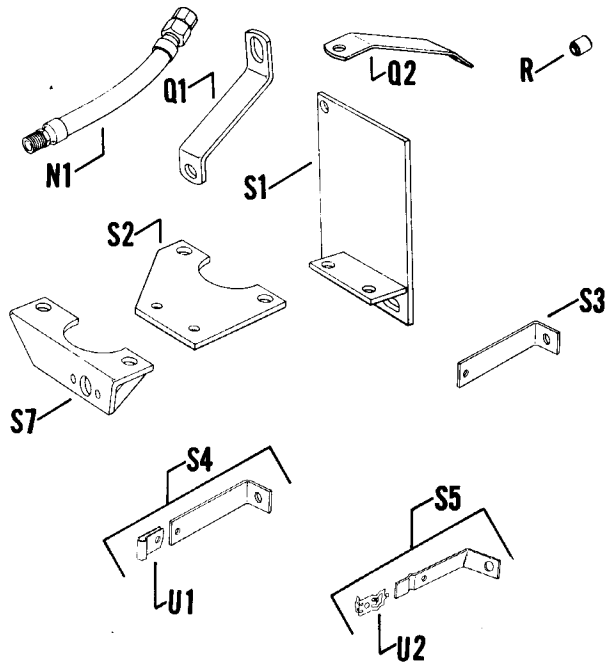
\*Replacement parts not available.

### 5 CARBURETOR

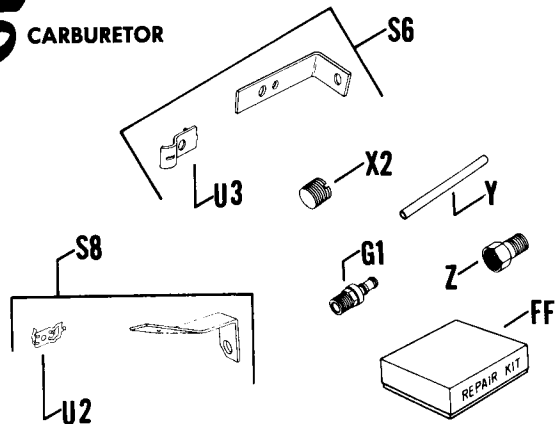


INDEX LTR.	DESCRIPTION VARIATION NUMBER	PART NUMBER	QTY.
G1	Fitting, hose 51	X-652-1	1
G2	Fitting, hose 51,55	X-653-1	1
H	Linkage, choke 2,3,5,8,11,40,52,66	235466	1
J	Cup, fuel 28	X-376	1
K1	Elbow, hose 90° 1,2,3,5,6,7,8,10,11,20,22,23,27,28,30,33,34,35,36,40,41,42,45,47,50,52,54,57,59,61,63,64,65,66,70,74,600,603	X-391-1	1
K2	Elbow 90° 3,7,11,26	X-447-5	1
		X-447-6	1
K3	Elbow, street 90° 4	SA-472	1
		X-211-10	1
		S-404	1
		X-274-9	1
K4	Elbow, compression 4	X-211-8	1
		A-822	3
		A-822	2
K5	Elbow 90° 16,25,29,37	231510	1
K6	Elbow, street 45° 28	X-274-8	1
K7	Elbow, street 90° 44,60	X-555-1	1

INDEX LTR.	DESCRIPTION VARIATION NUMBER	PART NUMBER	QTY.
K8	Elbow, street 90° 53	X-215-9	1
K9	Elbow, hose 90° 62	X-391-12	1
L	Nipple 3/8 x 3-1/2 4,13	153675	1
		X-204-12	1
	Nipple 3/8 x 5 5,31	X-204-12	1
	Nipple 1/8 x 3/4 28	X-217-11	1
	Nipple 3/8 x 2 53	X-204-6	1
M	Tee, pipe 28	X-220-5	1
		X-203-10	1
N1	Hose, flexible 12-1/4 3,7,26	235171	1
		241041	1
	Hose, flexible 12-3/16 5,31,53	241041	1
	Hose, flexible 11 11	271178	1
	Hose, flexible 9 44,60	247055	1
N2	Hose, flexible 15 55	X-446-6	1
		Hose, rubber 6-1/2 51	X-651-14

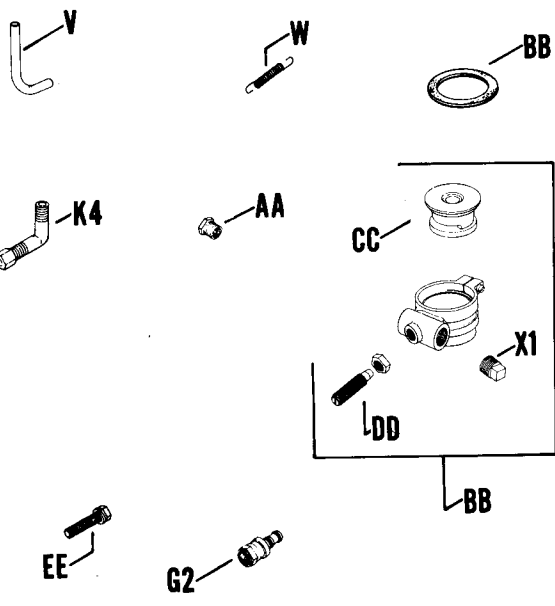


**5** CARBURETOR



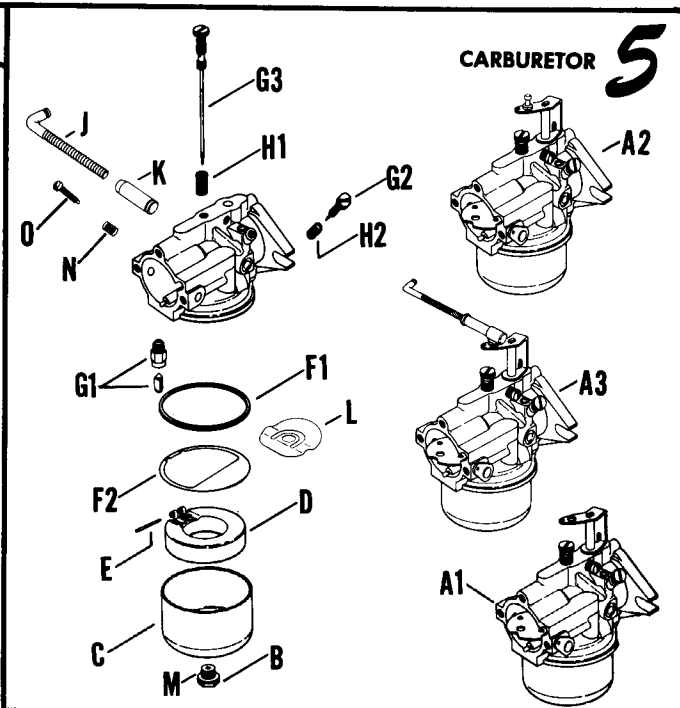
INDEX LTR.	DESCRIPTION VARIATION NUMBER	PART NUMBER	QTY.
0	Nut 15,16,25,37	220786	1
P	Sleeve 15,16,25,37	220547	1
Q1	Brace, regulator 11	235593	1
Q2	Brace, regulator 13	235124	1
R	Spacer 11	X-400-36	2
S1	Bracket, regulator 3,5,7,26,31,51,53,55	231471	1
S2	Bracket, regulator 11	235755	1
S3	Bracket, choke 10,15,19	235056	1
	20	235073	1
	33,603	235374	1
S4	Bracket, choke - assembly (Includes 210149 clip) 16,22,23,54	A-237075	1
S5	Bracket, choke - assembly (Includes 235603 clip) 27,29,30,47,57	A-236918	1
	35,36,37,39,42,63,74,600	A-236919	1
S6	Bracket, choke - assembly (Includes 235778 clip) 41,65	A-236921	1
S7	Bracket, regulator 44,60	236449	1
S8	Bracket, choke - assembly (Includes X-689-1 clip) 45	A-236920	1
T1	Connector 4	X-258-5	1
T2	Connector 15	231509	2

INDEX LTR.	DESCRIPTION VARIATION NUMBER	PART NUMBER	QTY.
T3	Connector 51,55	X-296-2	1
U1	Clip 10,15,16,19,20,22,23,54	210149	1
U2	Clip 27,29,30,35,36,37,39,42, 47,57,74,600	235603	1
	45	X-689-1	1
U3	Clip 41	235778	1
V	Tube, air vent 4	275794	1
W	Spring 4,13	152631	1
X1	Plug, pipe 3/4 3,5,7,11,26,31	X-75-6	1
X2	Plug, pipe 26,31	X-75-17	1
Y	Tubing 8 4	X-208-15	1
	Tubing 9 13	X-208-13	1
Z	Filter 5,7	151377	2
	13	151377	1



CARBURETOR **5**

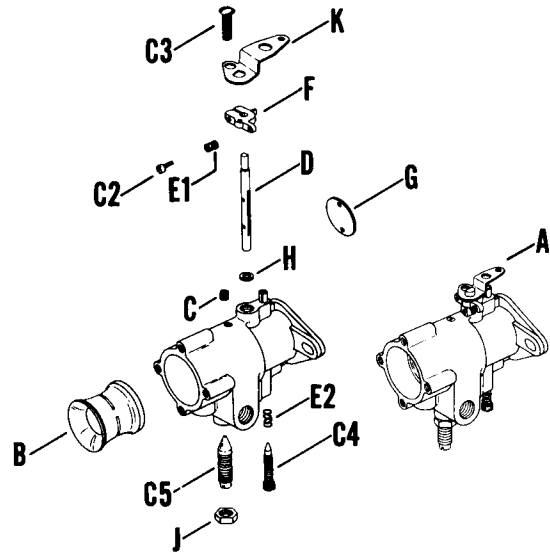
INDEX LTR.	DESCRIPTION VARIATION NUMBER	PART NUMBER	QTY.
AA	Bushing 1/2 x 3/8 3,5,7,11,26,31	X-202-28	1
	Bushing 3/4 x 3/8 4	X-202-31	1
	Bushing 1/4 x 3/8 51,53,55	X-202-30	1
BB	Adapter, carburetor-assem. (Includes X1,CC & DD) 3,5,7,11,26,31	A-235659	1
CC	Venturi 3,5,7,11,26,31	270661	1
DD	Valve, adapter 3,5,7,11,26,31	270662	1
EE	Screw, slotted sems hex. hd. 5/16 - 18 x 1 ALL (except 4,13,601,602)	X-770-1	2
	Screw, sems hex. hd. x/plain washer 3,26,31,51,53,55	X-776-1	1
	11	X-776-1	2
FF	Repair kit, carburetor (Discontinued--Not Available) 4,13	275414	1



INDEX LTR.	DESCRIPTION VARIATION NUMBER	PART NUMBER	QTY.
<div style="border: 1px solid black; padding: 5px; width: fit-content; margin: 0 auto;">                     Use stock of original part number before ordering replacement.                 </div>			
<div style="border: 1px solid black; padding: 5px; margin-top: 10px;"> <i>All includes 1, 2, 3, 5, 6, 7, 8, 10, 11, 15, 16, 19, 20, 22, 23, 25, 26, 27, 28, 29, 30, 31, 33, 34, 35, 36, 37, 39, 40, 41, 42, 45, 47, 50, 52, 54, 57, 59, 61, 62, 63, 64, 65, 66, 70, 600, 601, 602 and 603.</i> </div>			
A1	Carburetor - assembly (Replaced by 47 053 14) (Includes B thru H2) 1,20,25,33,50,603	A-237003	1
	2,3,5,11,40,52,66	E-235501	1
	6,7,26,31	E-235517	1
	8	A-236271	1
	28,59	A-235580	1
	57	A-237918	1
	Carburetor - assembly (Replaced by 47 053 12) (Includes B thru H2) 15,16,19,23,29,30,34, 37,54	E-235058	1
	Carburetor - assembly (Replaced by 47 053 13) (Includes B thru H2) 10,22,27,35,36,39,41,42, 45,47,600	A-237772	1
	Carburetor - assembly (Includes B thru H2) 601	47 053 14	1
	602	47 053 12	1
	Carburetor - assembly (Includes B thru H2, M) 74	47 053 29	1

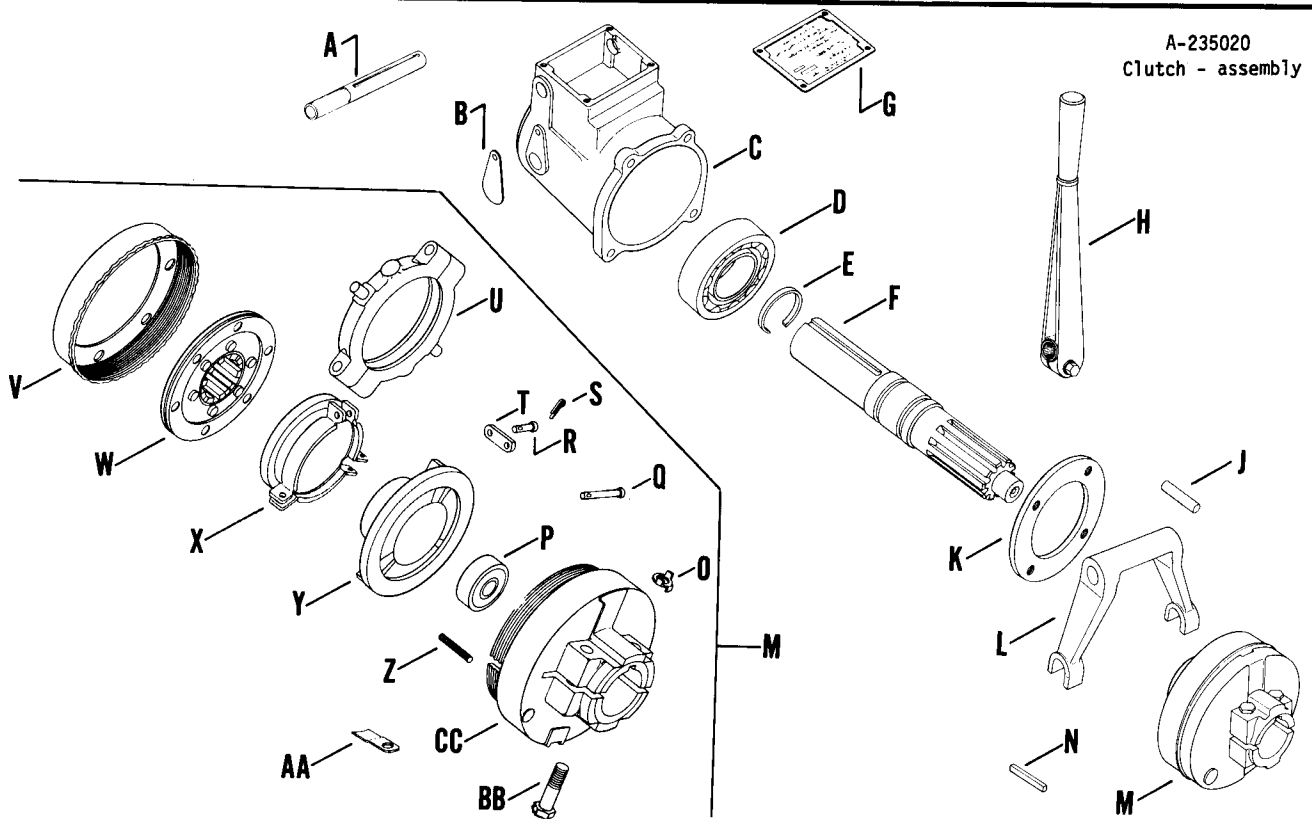
INDEX LTR.	DESCRIPTION VARIATION NUMBER	PART NUMBER	QTY.
A2	Carburetor - assembly (Includes B thru H2) 61	47 053 07	1
	62,70	47 053 08	1
A3	Carburetor - assembly (Includes B thru K) 63,65	47 053 13	1
	Carburetor - assembly (Includes B thru L) 64	47 053 19	1
B	Screw, bowl retainer (Replaced by 47 100 04) 1,8,10,15,16,19,20,22,23, 25,27,28,29,30,33,34,35, 36,37,39,41,42,45,47,50, 54,57,61,62,63,64,65,70, 74,600,601,602,603	235447	1
	2,3,5,6,7,11,26,31,40,52, 66	200420	1
C	Bowl 1,8,10,15,16,19,20,22,23, 25,27,29,30,33,34,35,36, 37,39,41,42,45,47,50,54, 57,61,62,63,65,70,74,600, 601,602,603	235448	1
	28,64	236317	1
	Bowl 2,3,5,6,7,11,26,31,40, 52,66	200418	1
D	Kit, float ALL	25 757 03	1
E	Pin, float hinge ALL	200376	1
F1	Gasket, bowl ALL	200375	1

INDEX LTR.	DESCRIPTION VARIATION NUMBER	PART NUMBER	QTY.	INDEX LTR.	DESCRIPTION VARIATION NUMBER	PART NUMBER	QTY.
F2	Gasket, bowl baffle ALL	25 041 02		C3	Screw, throttle lever 44,51,53,55,60	221503	1
G1	Needle and seat Available only in Carburetor Repair Kit		1	C4	Screw, idle adjustment 44,51,53,55,60	234206	1
G2	Needle, idle fuel adjusting ALL	235006	1	C5	Screw, load adjustment 44,51,53,55,60	236552	1
G3	Needle, main fuel adjusting 1,8,10,15,16,19,20,22,23, 25,27,28,29,30,33,34,35, 36,37,39,41,42,45,47,50, 54,57,61,62,63,65,70,74, 600,601,602,603	235415	1	D	Shaft (Discontinued--Not Available) 44,51,53,55,60	236667	1
	Needle, main fuel adjusting 2,3,5,6,7,11,26,31,40, 52,66	200442	1	E1	Spring, idle stop 44,51,53,55,60	234208	1
	64	47 103 01	1	E2	Spring, idle adjustment 44,51,53,55,60	234208	1
H1	Spring, main fuel adjusting needle ALL	200383	1	F	Arm, cast 44,51,53,55,60	236670	1
H2	Spring, idle fuel adjusting needle ALL	200380	1	G	Plate (Discontinued--Not Available) 44,51,53,55,60	236668	1
J	Rod, ball joint 63,64,65	235277	1	H	Seal, felt (Discontinued--Not Available) 44,51,53,55,60	236669	1
K	Ball joint 63,64,65	45 208 03	1	J	Nut, load adjustment lock (Discontinued--Not Available) 44,51,53,55,60	236553	1
L	Spring 64	236319	1	K	Lever, throttle 44,51,53,55,60	275228	1
M	Gasket, bowl retainer screw ALL	200372					
N	Spring, idle screw 74	232555	1				
O	Screw, idle adj. 74	232556	1				
	Repair kit (Includes bowl nut gasket, bowl ring gasket, bowl baffle gasket, needle and seat gasket and float pin) ALL (except 62,70)	231555	1				
	62,70	221519	1				



INDEX LTR.	DESCRIPTION VARIATION NUMBER	PART NUMBER	QTY.
	Use stock of original part number before ordering replacement.		
A	Carburetor - assembly (Includes B thru P) 44,51,53,55,60	A-237208	1
B	Venturi 44,51,53,55,60	236671	1
C1	Screw, venturi set 44,51,53,55,60	X-60-1	1
C2	Screw, idle stop 44,51,53,55,60	236554	1

CARBURETOR 5



A-235020  
Clutch - assembly

INDEX LTR.	DESCRIPTION VARIATION NUMBER	PART NUMBER	QTY.	INDEX LTR.	DESCRIPTION VARIATION NUMBER	PART NUMBER	QTY.
A	Shaft, yoke 1	274117	1	L	Yoke, clutch 1	A-234027	1
B	Cover, grease fitting 1	234088	1	M	Clutch - assembly (Includes 0 thru CC) 1	A-234093	1
C	Housing, power take-off 1	234086	1	N	Key 1	X-286-11	1
D	Bearing, ball 1	234090	1	O	Lock, screw 1	234057	2
E	Ring, retaining 1	230305	1	P	Bearing 1	212135	1
F	Shaft, drive 1	234091	1	Q	Pin, link (long) 1	234051	3
G	Cover, nameplate 1	234087	1	R	Pin, link (short) 1	234052	3
H	Lever, shifting 1	A-234026	1	S	Pin, cotter 1	X-36-4	6
J	Pin, roll 1	274101	2	T	Link, connecting 1	234050	6
K	Plate, bearing retainer 1	234092	1	U	Bearing, release 1	A-234066	1



INDEX LTR.	DESCRIPTION VARIATION NUMBER	PART NUMBER	QTY.
V	Ring, adjusting 1	234068	1
W	Member, driven 1	A-234061	1
X	Sleeve, release 1	A-234064	1
Y	Plate, pressure 1	A-234062	1
Z	Spring 1	234055	3
AA	Lock, adjusting 1	234060	1
BB	Screw, hex. hd. 5/16 - 18 1	234114	1
CC	Housing, clutch 1	234094	1

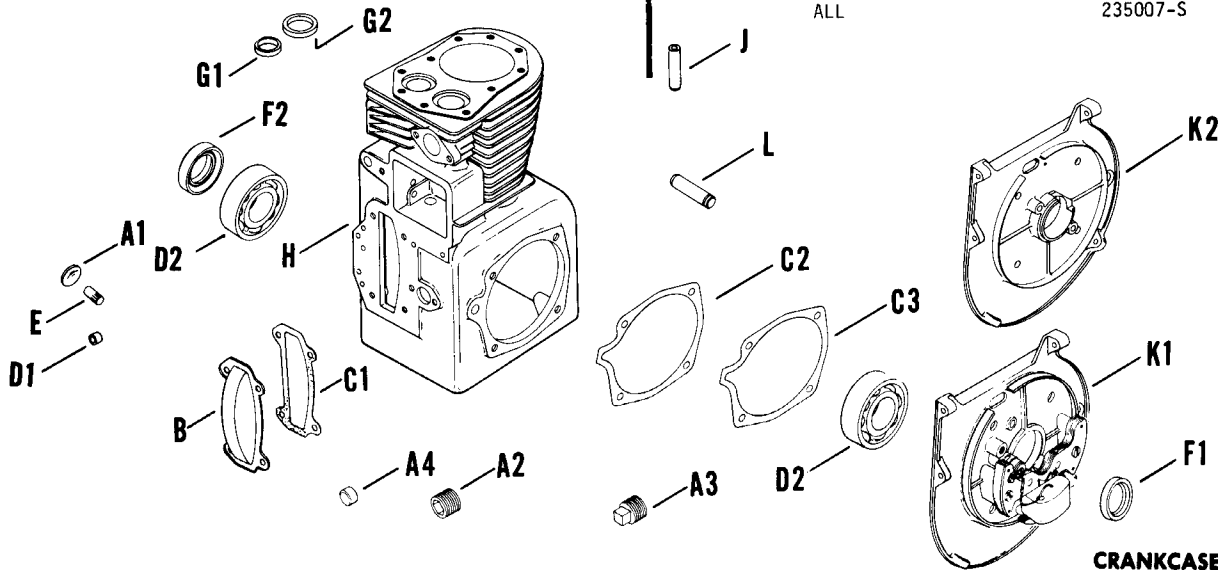
INDEX LTR.	DESCRIPTION VARIATION NUMBER	PART NUMBER	QTY.
A4	Plug 175,181,184,200	X-702-3	2
	Plug, cup 203	X-702-12	1
B	Cover, camshaft ALL (except 200) 200,203	235026 237623	1 1
C1	Gasket, camshaft cover ALL	235025	1
C2	Gasket, bearing plate .010 ALL	235070	A.R.
C3	Gasket, bearing plate ALL	235757	1
D1	Bearing ALL	234866	1
D2	Bearing, ball ALL	235376	2
E	Shaft, governor ALL	235125-S	1
F1	Seal, front oil (Replaced by 47 032 06) ALL (except 202,203,206)	X-271-30	1
	Seal, front oil 202,203,206	47 032 06	1
F2	Seal, rear oil (Replaced by 47 032 07) ALL (except 75,100,125, 126,142,176,202,203,206)	X-379-9	2
	75,100,125,126,142,176	X-379-9	2
	Seal, rear oil 202,203,206	47 032 07	1
G1	Insert, exhaust valve ALL	230170	1
G2	Insert, intake valve 13,26,28,37,39,62,63,82, 83,104,108,147,160,169, 175,195	230265	1
H	Cylinder Block Service with either a Short Block or Miniblock		
J	Guide, valve ALL	235007-S	2

**7 CRANKCASE**

INDEX LTR.	DESCRIPTION VARIATION NUMBER	PART NUMBER	QTY.
------------	------------------------------	-------------	------

Use stock of original part number before ordering replacement.

A1	Plug, expansion ALL	X-230-11	1
A2	Plug, pipe (Replaced by 47 139 01) 13,37,43,62,73,82,83,87, 101,104,108,141,147,149, 168,173,175,195,200	X-75-31	2
	Plug, pipe hex. ctsk. 3/4 202	47 139 01	2
A3	Plug, pipe 17,59	X-75-18	1

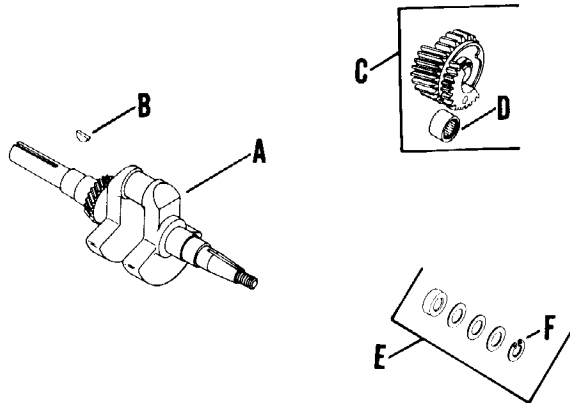


CRANKCASE

**7**

INDEX LTR.	DESCRIPTION VARIATION NUMBER	PART NUMBER	QTY.	INDEX LTR.	DESCRIPTION VARIATION NUMBER	PART NUMBER	QTY.
K1	Plate, bearing assembly (Serviceable parts for stator are listed in Group 18 under C1 & J--Grids D11 & D13) 1,2,3,4,6,7,8,12,14,17,19,22,27,31,57,60	A-235061	1		<div style="border: 1px solid black; padding: 2px;">For description of crankshaft power take-off end, refer to ENS-708 crankshaft publication.</div> <div style="border: 1px solid black; padding: 2px;">Use stock of original part number before ordering replacement.</div>		
	Plate, bearing - assembly (Serviceable parts for stator are listed in Group 18 under C1 & J--Grids D11 & D13) (Discontinued--Not Available) 68	A-235635	1	A	Crankshaft		
K2	Plate, bearing 9,13,16,20,21,26,28,30,36,37,43,50,55,62,70,71,73,80,82,83,87,89,101,102,104,105,108,109,149,154,158,166,169,173	45 156 01	1		2	A-235387	1
	40,53,58,59,61,64,100,171	235354	1		5	A-235391	1
	75,90,126	235998	1		8	A-235394	1
	141,142,147,151,156,164,170,174,175,176,178,181,183,184,185,186,187,200,203,206	45 156 02	1		9	A-235396	1
	195,202	45 156 03	1		12	A-235397	1
	Plate, bearing (Replaced by 45 156 01) 15,39	235062	1		13	A-235403	1
	125,137	236384	1		1,17	A-235406	1
	Plate, bearing (Replaced by 45 156 02) 144,160,167,168	236488	1		19	A-235408	1
					21	A-235246	1
					22	A-235409	1
					24	A-235076	1
					26	A-235559	1
					27,44	B-235613	1
					30	A-235326	1
L	Shaft, balance gear ALL	236559	2		31	A-235331	1
				31	A-235331	1	
				42	A-235555	1	
				47	B-235655	1	
				52,76	B-235793	1	
				53,62	B-235711	1	
				54	B-235791	1	
				55	A-236206	1	
				56,71	B-235662 (1)	1	
				57,77	B-235782	1	
				58	B-236212	1	
				59	B-235775 (2)	1	
				63	B-236365	1	
				64	B-236358 (3)	1	
				65	A-236359	1	
				66,73	B-236362 (4)	1	
				68	B-236356	1	
				75	B-236774	1	

### 8 CRANKSHAFT



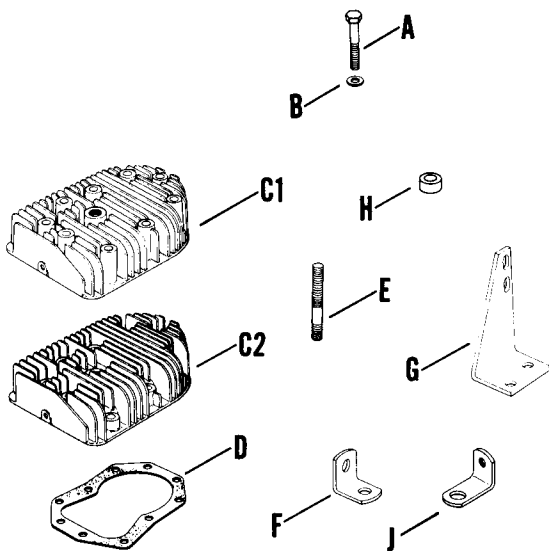
### 8 CRANKSHAFT

- (1) Standard
- (3) Generator Set
- (2) Gear Reduction
- (4) Standard-tapped

(A-CONTINUED NEXT PAGE)

INDEX LTR.	DESCRIPTION VARIATION NUMBER	PART NUMBER	QTY.	INDEX LTR.	DESCRIPTION VARIATION NUMBER	PART NUMBER	QTY.
(A--CONTINUED)							
	80	B-236364	1		Use stock of original part number before ordering replacement.		
	81,86	B-237077	1				
	83	B-237118	1	A	Screw, hex. hd. 3/8 - 16 x 2-1/4		
	88	B-237572	1		1,6,10,16	271077	7
	90	47 014 03	1		2,12	271077	9
					5,15	271077	8
	Crankshaft (Discontinued--Not Available)						
	38	A-235413	1		Screw, hex. hd. 3/8 - 16 x 2-1/2		
	91	47 014 07	1		1,6,10,16	235175	2
B	Key 52	X-44-1	1		5,15	235175	1
C	Gear - assembly (Includes D) (Order spacer kit 47 755 01 when replacement spacers are required)				17,20,21,22,23,26, 27,31	235175	9
	71,73,81,91	A-236507	2		25	235175	7
D	Bearing, needle 71,73,81,91	236506	2		52	235175	6
E	Kit, spacer (Includes F) 71,73,81,91	47 755 01	1		Screw, hex. hd. 3/8 - 16 x 1-1/2		
F	Retainer 71,73,81,91	X-269-34	2		32,55	270158	9
					33,41,50	270158	7
					35,39,40,58	270158	6
					36	270158	4
					37,42,45,48,900	270158	3
					38,46,53	270158	8
					43,44,56	270158	5
					54	270158	2
					Screw, hex. hd. 3/8 - 16 x 1-3/4		
					38,39,40,48,50,58	270721	1
				B	Washer, flat 1,2,5,6,10,12,15,16,25,32, 33,35,36,37,39,41,42,44,45, 46,48,54	270889	9
					17,20,21,22,23,26,27,31, 38,40,43,52,53,55,56,58	270889	10
					42,900	270889	12
					50	270889	11
				C1	Head, cylinder (Use 236675 after serial no. 3184999)		
					1,2,5,6,10,12,15,16,20, 21,22,23,25,26,27,31	236546	1
					Head, cylinder 17,52	235475	1
				C2	Head, cylinder 32,33,35,36,37,38,39,40, 41,42,43,44,45,46,48,50, 53,54,55,56,58,900	236675	1
				D	Gasket, cylinder head ALL	237658	1

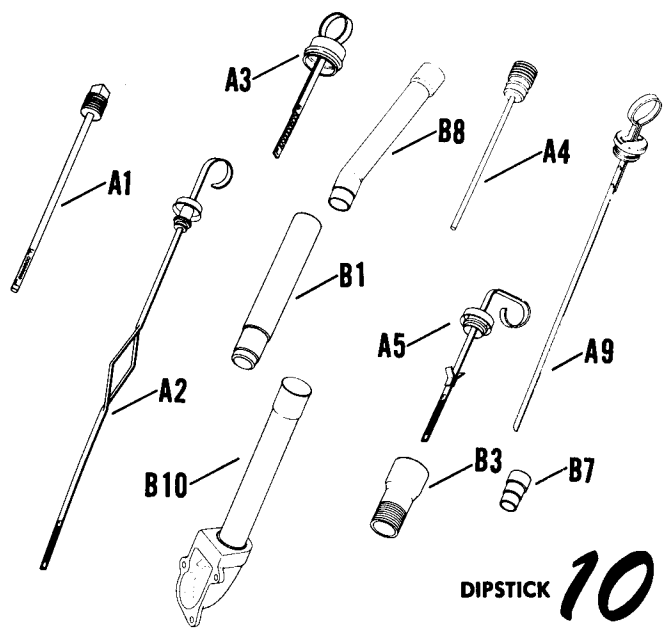
**9 CYLINDER HEAD**



**9 CYLINDER HEAD**

### DIPSTICK 10

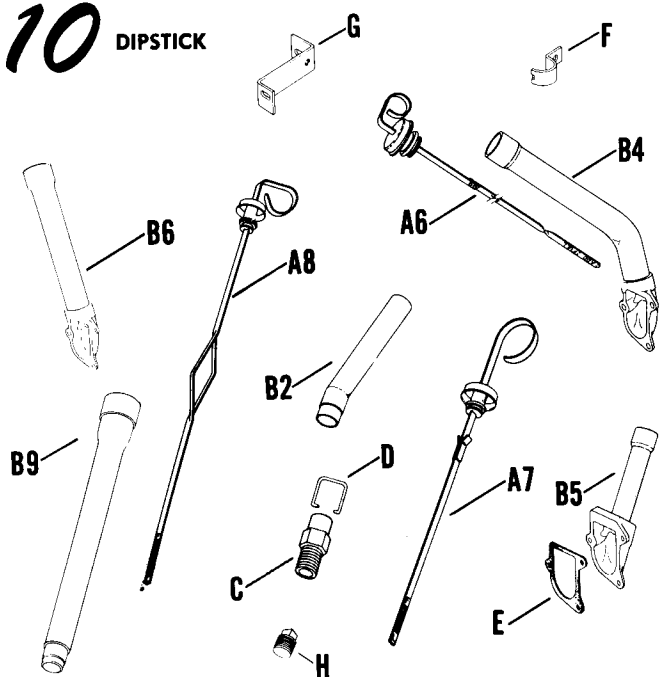
### DIPSTICK 10



INDEX LTR.	DESCRIPTION VARIATION NUMBER	PART NUMBER	QTY.
E	Stud, head (Replaced by 237522) 25	235679	2
	35	235679	3
	46	235679	1
	Stud, head 33, 39, 58	237522	2
	36	237277	5
	37	237522	6
	40, 41	237277	2
	42, 45, 900	237277	6
	43, 56	237522	4
	44	237277	4
	48	237522	5
	50, 53	237522	1
	52	237277	3
	54	237277	7
	F	Strap, lifting 17, 20, 21, 22, 23, 25, 26, 27, 31, 36, 37, 41, 42, 43, 44, 45, 52, 53, 900	235748
38, 39, 40, 48, 54		236742	1
55, 56, 58		47 445 01	1
G	Bracket, exhaust pipe 6	244978	1
	16, 27	235140	1
H	Spacer 33	X-400-26	2
	36	X-400-71	5
	37, 42, 43, 900	X-400-71	4
	37	X-400-83	2
	37, 39, 41, 58, 900	X-400-71	2
	44	X-400-91	4
	45	X-400-71	6
	48	X-400-91	5
	50, 53, 56	X-400-71	1
54	X-400-71	7	
J	Bracket, baffle mounting 50	47 126 04	1

INDEX LTR.	DESCRIPTION VARIATION NUMBER	PART NUMBER	QTY.	
Use stock of original part number before ordering replacement.				
A1	Dipstick 2-1/4" blade 1	A-235092	1	
	Dipstick 8-7/8" blade 4	A-235320	1	
	Dipstick 7-25/32" blade (Replaced by 235444) 8	A-235444	1	
	Dipstick 8-3/32" blade 48	235747	1	
	A2	Dipstick 16-23/32" blade 2	A-235068	1
		9	A-235543	1
		Dipstick 14-7/8" blade 3, 13	A-235333	1
	A3	12	A-235620	1
		Dipstick 12-21/32" blade 18	236583	1
		Dipstick 15-7/8" blade 22	236703	1
Dipstick 15-7/16" blade 39		237797	1	
Dipstick 3-1/2" blade 6	A-235427	1		

10 DIPSTICK

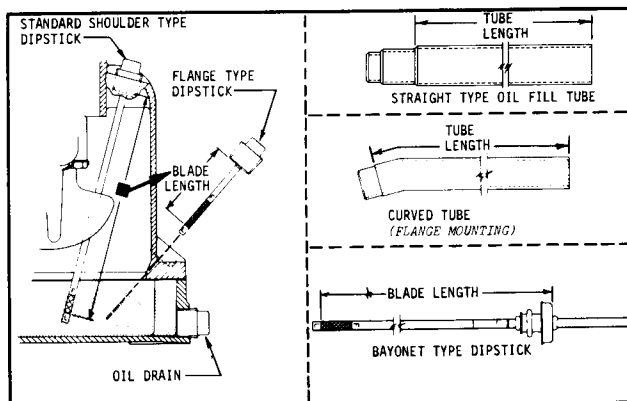


INDEX LTR.	DESCRIPTION VARIATION NUMBER	PART NUMBER	QTY.
B2	Tube, oil fill 6-21/32" 13,22	235895	1
	Tube, oil fill 4-1/4" 18	236382	1
B3	Tube, oil fill 1-27/32" 24,38	237012	1
B4	Tube, oil fill 9-3/8" 30	237080	1
B5	Tube, oil fill 4-1/4" 31,40	236960	1
B6	Tube, oil fill 9-11/32" 34	236964	1
B7	Tube, oil fill 9/16" 37	232656	1
B8	Tube, oil fill 7-5/32" 39	236465	1
B9	Tube, oil fill 8-5/8" 44,50	47 123 03	1
B10	Tube, oil fill 9" 45,46	47 180 03	1

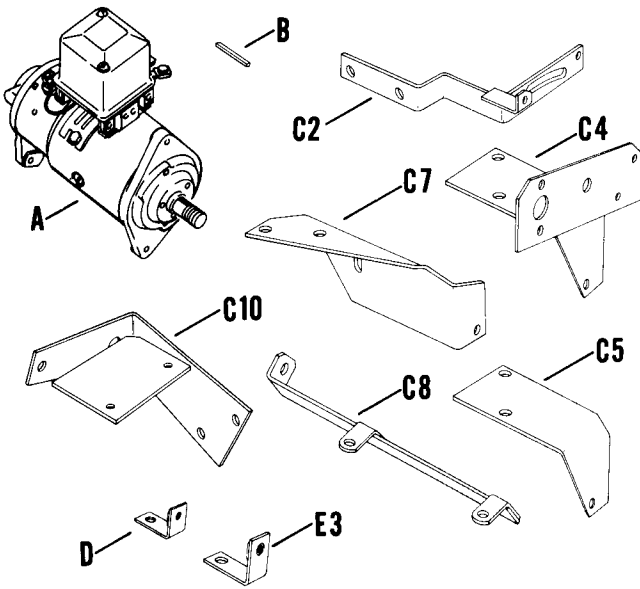
INDEX LTR.	DESCRIPTION VARIATION NUMBER	PART NUMBER	QTY.
A4	Dipstick 7-1/4" blade (Use 235747 on block with threaded hole) 14,33	A-237150	1
A5	Dipstick 4-3/8" blade 24	237013	1
	Dipstick 3-5/16" blade 38	237552	1
A6	Dipstick 13-57/64" blade 30	237086	1
	Dipstick 14-1/2" blade 34	237052	1
A7	Dipstick 10-1/4" blade 31	237015	1
	Dipstick 8-13/16" blade 37	A-235985	1
A8	Dipstick 8-11/16" blade 40	236837	1
	Dipstick 15-59/64" blade 44	47 038 06	1
	50	47 038 05	1
A9	Dipstick 13-55/64" blade 45,46	47 038 04	1
	Dipstick 7-5/8" blade 49	237932	1
	Dipstick 6-3/4" blade 600	237620	1
B1	Tube, oil fill 7-1/2" 2,9	275875	1
	Tube, oil fill 6-3/4" 3,12	235335	1

C	Adapter, dipstick 1-1/8" 6	235428	1
D	Wire, bail 6	235429	1
E	Gasket 30,31,34,40,45,46	237064	1
F	Clamp 46	X-785-1	1
G	Bracket, tube (Use after serial no. 7158393) 46	47 126 11	1
H	Plug, pipe sq. hd. 3/4" 54	X-75-6	1

DIPSTICK AND OIL FILL TUBE DETAILS



**11 ELECTRIC START**

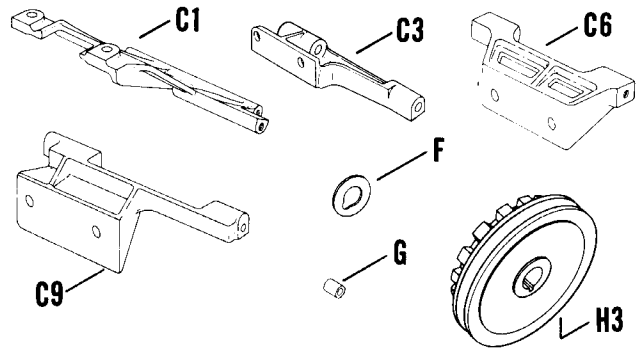


**MOTOR GENERATOR - 12 VOLT**

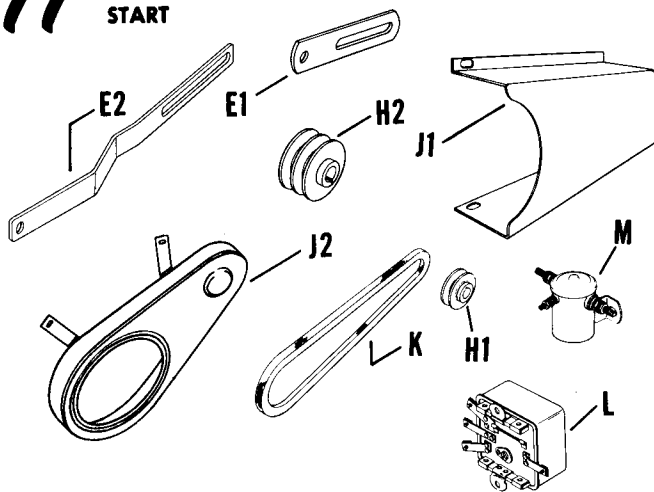
INDEX LTR.	DESCRIPTION VARIATION NUMBER	PART NUMBER	QTY.
Use stock of original part number before ordering replacement.			
A	Starter, generator - assembly (Grid C5 ) (Includes regulator) 1,4,6,10,12,19,23,30,35,36,37,41,43,44,47,54,419,420	B-275703	1
	Starter, generator - assembly (Grid C5 ) 18,21,31,32,50,406,408,409,411,418	B-275847	1
	24,46,53	C-231262	1
	49	D-231262	1
	57	C-235230	1
B	Key, square 24,46,49,53,63	242168	1
C1	Support, starter lower 1,6	235716	1
	10,21,32,406,409	235749	1
C2	Support, starter upper 1,6,10,11,21,32,406,409	235717	1
C3	Support, starter lower 4,12,16,18,19,23,30,31,41,43,57,407,417,419,420	235196	1
	35,36,37,39,47,52,60,66,73,404,412,414,416	235457	1

INDEX LTR.	DESCRIPTION VARIATION NUMBER	PART NUMBER	QTY.
(C3-CONTINUED)			
	44	235557	1
	54	235681	1
	70	236586	1
C4	Support, starter upper 4,18,19	235198	1
C5	Support, starter upper 12,16,30,31,35,39,43,44,52,57,60,70,404,407,412,417,419,420	235197	1
	73	236761	1
	Support, starter upper (Discontinued--Not Available) 23,54	235315	1
	66,414	236416	1
C6	Support, starter lower 24,46,49,53,63	235373	1
C7	Support, starter upper 36,37,41,47	235458	1
C8	Support, starter upper 50	235705	1
C9	Support, starter lower 50	235708	1
C10	Support, starter upper 84	237883	1
D	Brace, belt guard 4,23,30,419,420	235202	1
E1	Bracket, starter adjusting 4,12,16,18,19,23,30,31,35,36,37,39,41,43,44,47,54,57,60,66,70,73,404,407,414,416,417,419,420	235203	1
	50	235707	1
E2	Bracket, starter adjusting 24,46,49,53,63	231273	1
E3	Bracket, belt guard 30,417,419,420	235066	1

**MOTOR GENERATOR - 12 VOLT**



**11 ELECTRIC MOTOR GENERATOR - 12 VOLT START**



INDEX LTR.	DESCRIPTION VARIATION NUMBER	PART NUMBER	QTY.
F	Shim 10,12,18,19,21,23,35,36, 37,39,41,43,44,50,53,54, 406,409	236397	A.R.
	Shim .005 24,46,49	231149	A.R.
	Shim, .010 24,46,49,53,63	231150	A.R.
G	Spacer 47	X-346-2	1
H1	Pulley 1,405	275669	1
	10,12,18,19,21,23,30,31, 32,35,36,37,39,41,43,44, 47,50,54,57,404,406,407, 409,411,414,416,418,419, 420	235260	1
	24,53	231278	1
	46,49	235583	1
	408	235280	1
	412	235751	1
H2	Pulley (Double groove) (Discontinued--Not Available) 4,6	235209	1
H3	Pulley, drive 24,46,49,53,63	231591	1
J1	Guard, belt 1,57,410,417,419	235719	1
	4	235199	1
	6	235211	1
	30	235554	1
J2	Guard, belt 10,21,406,409	235530	1
	12,18,19,31,41,54	235528	1

INDEX LTR.	DESCRIPTION VARIATION NUMBER	PART NUMBER	QTY.
	(J2-CONTINUED)		
	44,47,404,414,417	235529	1
	50	235704	1
K	Belt 1	235721	1
	4	235200	2
	6	235721	2
	10,21,32,406,409	235261	1
	12,18,19,30,31,35,36, 37,41,43,44,47,54,419, 420	235262	1
	23	235312	1
	24,46,49,53	231605	1
	50	231446	1
	57	235528	1
L	Regulator, voltage 18,405	235238	1
	31,32,406,408,409,418	270952	1
M	Solenoid, starting 47	243823	1

INDEX LTR.	DESCRIPTION VARIATION NUMBER	PART NUMBER	QTY.
------------	------------------------------	-------------	------

Use stock of original part number before ordering replacement.

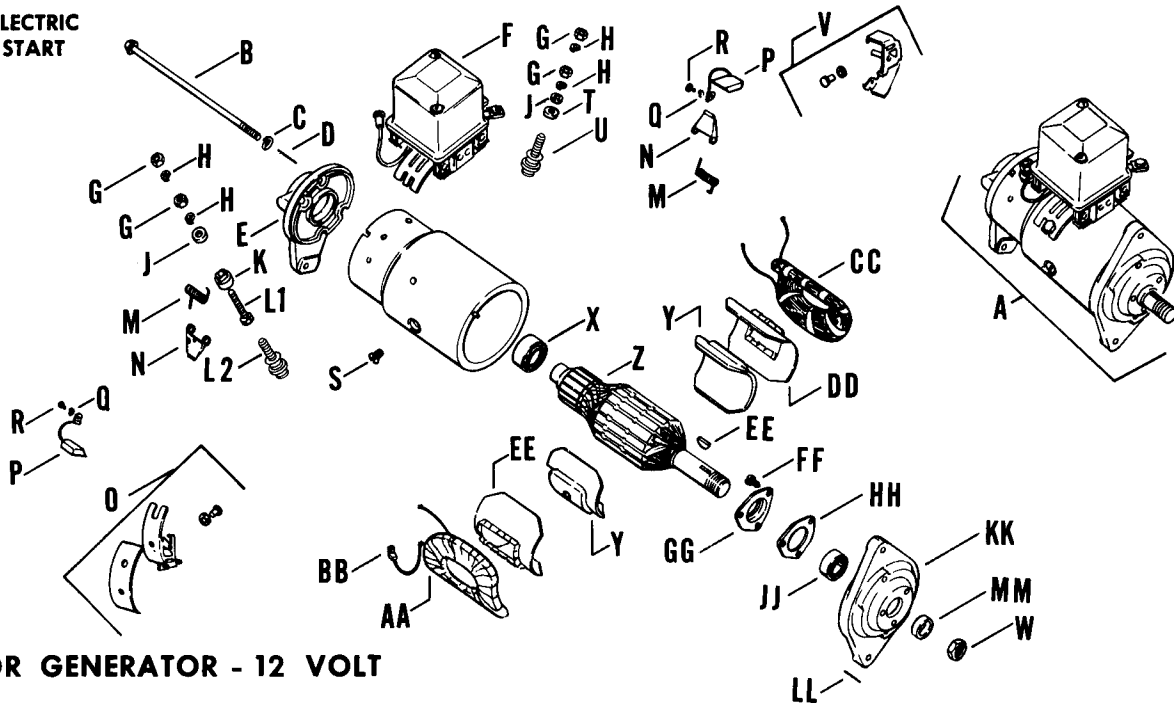
All includes 1,4,6,10,12,18,19,21,23,24,30,31,32,35,36,37,41,43,44,46,47,49,50,53,54,57,406,408,409,411,418,419,420

A	Starter, generator - assembly (Includes regulator) 1,4,6,10,12,19,23,30,35, 36,37,41,43,44,47,54,419, 420	B-275703	1
	Starter, generator - assembly 18,21,31,32,50,406,408,409, 411,418	B-275847	1
	24,46,53	C-231262	1
	49	D-231262	1
	57	C-235230	1
B	Bolt, thru ALL	231314	2
C	Washer, split-thru bolt (Discontinued--Not Available) 1,4,6,10,12,18,19,21,23, 30,31,32,35,36,37,41,43, 44,47,50,54,406,408,409, 411,418,419,420	275980	2
	Washer, split-thru bolt 24,46,49,53,57	272330	2

# 11

# K241

# 11 ELECTRIC START



## MOTOR GENERATOR - 12 VOLT

INDEX LTR.	DESCRIPTION VARIATION NUMBER	PART NUMBER	QTY.	INDEX LTR.	DESCRIPTION VARIATION NUMBER	PART NUMBER	QTY.
D	Pin, dowel C.E. ALL	275993	1	L2	Stud, terminal "A" (Includes bushing) 24,46,49,53	232862	1
E	Frame C.E. 1,4,6,10,12,18,19,21,23, 24,30,31,32,35,36,37,41, 43,44,46,47,49,50,53,54, 57,406,408,409,411,418, 419,420	230812	1	M	Spring, brush ALL	285652	2
F	Regulator 1,4,6,10,12,19,23,30,35, 36,37,41,43,44,47,54, 419,420	275746	1	N	Arm, brush ALL	272325	2
G	Nut, terminal ALL	X-81-7	4	O	Holder, insulated brush ALL	231307	1
H	Washer, split - terminal stud 1,4,6,10,12,18,19,21,23, 30,31,32,35,36,37,41,43, 44,47,50,54,406,408,409, 411,418,419,420	275979	4	P	Brush ALL	275741	2
	24,46,53,57	272320	4	Q	Washer, split-brush lead ALL (Except 24,46,53)	X-18-1	1
J	Washer, flat terminal ALL (Except 49,57)	275986	2	R	Screw, brush lead ALL	X-49-1	2
	Washer, flat terminal (Discontinued--Not Available) 49,57	272319	1	S	Screw, pole shoe ALL	275984	2
K	Bushing, insulated terminal "A" ALL	232861	1	T	Washer, insulated terminal ALL	275985	1
L1	Stud, terminal "A" 1,4,6,10,12,18,19,21,23, 30,31,32,35,36,37,41,43, 44,47,50,54,57,406,408, 409,411,418,419,420	275972	1	U	Stud, terminal "F" (Includes bushing) (Replaced by 232862) 1,4,6,10,12,18,19,23, 30,31,32,35,36,37,41, 43,44,47,50,54,406,408, 409,411,418,419,420	275973	1
				V	Stud, terminal "F" (Includes bushing) 24,46,49,53,57	232862	1
					Holder, ground brush ALL	231306	1



INDEX LTR.	DESCRIPTION VARIATION NUMBER	PART NUMBER	QTY.	INDEX LTR.	DESCRIPTION VARIATION NUMBER	PART NUMBER	QTY.
W	Nut, shaft D.E. ALL (Except 24,46,53)	271267	1		24,46,49,53,57	231794	2
	Nut, shaft D.E. 24,46,53	271267	2	EE	Key, woodruff ALL	X-43-3	1
X	Bearing, ball C.E. ALL (Except 49,57)	230813	1	FF	Screw, bearing retainer ALL	275981	3
Y	Shoe, pole ALL	275969	2	GG	Plate, retainer D.E. ALL	275976	1
Z	Armature ALL	A-275738	1	HH	Gasket, bearing retainer ALL	231312	1
AA	Coil, field - L.H. 1,4,6,10,12,18,19,21,23, 30,31,32,35,36,37,41,43, 44,47,50,54,57,406,408, 409,411,418,419,420	275740	1	JJ	Bearing D.E. ALL	270311	1
	24,46,49,53	231309	1	KK	Frame D.E. 1,4,6,10,12,18,19,21,23, 30,31,32,35,36,37,41,43, 44,47,50,54,57,406,408, 409,411,418,419,420	275924	1
BB	Clip, terminal to brush ALL (Except 49)	275987	1		24,46,49,53	234419	1
CC	Coil, field - R.H. 1,4,6,10,12,18,19,21,23, 30,31,32,35,36,37,41,43, 44,47,50,54,57,406,408, 409,411,418,419,420	275739	1	LL	Pin, dowel D.E. ALL	275994	1
	24,46,49,53	231308	1	MM	Collar, space D.E. 1,4,6,10,12,18,19,21,23, 30,31,32,35,36,37,41,43, 44,47,50,54,406,408,409, 411,418,419,420	275971	1
DD	Insulator, field coil 1,4,6,10,12,18,19,21,23, 30,31,32,35,36,37,41,43, 44,47,50,54,406,408,409, 411,418,419,420	231794	1		24,46,53	275017	1

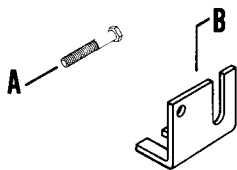
**BENDIX DRIVE STARTERS**

STARTING MOTOR SUPERSESSIONS					
<p>A number of changes have been made on American Bosch starting motors. When major changes were made, Bosch changed their model designation and Kohler, in turn, changed the starter part number and also established an engine serial number break to indicate when the new model was used. The chart below lists the starter supersessions by both Bosch model and Kohler part number. Following the chart is a parts breakdown of each starter with the starters listed in numerical sequence by Kohler part number.</p> <p>The Bosch model number is found on the end cap of each starter. If the model number can be obtained, locate the corresponding Kohler part number in the chart then find the required replacement part numbers under the parts breakdown for that Kohler starter number.</p> <p>If the Bosch model cannot be determined, check the serial number of the engine to determine which starter it uses. For example, if starter variation 62 is called for and the engine serial number is E-227390, the chart indicates the Bosch SME12A13 or Kohler A-236292 starter. If the serial number had been E-228055, the chart indicates that the engine used the SMH12A3 or Kohler A-237132 starter.</p>					
VARIATIONS	KOHLER PART NO.	AMERICAN BOSCH PART NO.	REPLACED BY		EFFECTIVE AT SERIAL NUMBER
			KOHLER PART NO.	AM. BOSCH NO.	
72 .....	A-236292 A-237132	SME12A13 SMH12A3	A-237132 B-237132	SMH12A3 SMH12A3 SMH12A5 or 05995-21-M030SM	E-227420 *
	B-237132	SMH12A3	A-237511		3173782
69,71 .....	A-236396	SME12A11	A-237131	SMH12A2 SMH12A4 or 05994-24-M030SM	E-172452
	A-237131	SMH12A2	A-237534		3224986
81 .....	A-237510	SMH12A2	A-237534	SMH12A4 or 05994-24-M030SM	3224986
85 .....	45 098 01 45 098 03	SMH12A201 SMH12A201	45 098 03 45 098 05	SMH12A201 12507-29-M030SM	7144003 7333352
87 .....	A-237534	SMH12A4 or 05994-24-M030SM			
62,89 .....	A-237511	SMH12A5 or 05995-21-M030SM			
90 .....	45 098 06	14925-27-M030SM			

\*Dust shield kit 237555 was added to A-237132 starter which changes the starter number to B-237132. Dust shield kit includes stop gear spacer, shield retainer & dust shield.

**11** ELECTRIC START

**BENDIX DRIVE**



Starter	Grid
A-236292	C8
A-236396	C9
A-237131	C9
A-237132	C10
A-237510	C10
A-237511	C11
A-237534	C11
45 098 01	C12
45 098 03	C12
45 098 05	C13
45 098 06	C13

Use stock of original part number before ordering replacement.

INDEX LTR.	DESCRIPTION VARIATION NUMBER	PART NUMBER	QTY.
A	Starter - assembly (low mount) (SME12A13) (Includes B thru O) (Replaced by A-236292-S kit)	A-236292	1
B	Armature	236571	1
C	Washer, spacer .005	236570	1
D	Washer, spacer .010	236568	A.R.
E	Drive	236562	1
F	Plate D.E.	236627	1
G	Washer, split-thru bolt	236574	1
H	Bolt, thru	236577	2
J	Cap-assembly C.E.	236628	1
K	Brush and spring	236576	1
L	Nut, terminal lead	236575	2
M	Washer, split	236594	2
N	Washer, spacing	236573	1
O	Washer, insulator	236572	1

INDEX LTR.	DESCRIPTION VARIATION NUMBER	PART NUMBER	QTY.
------------	------------------------------	-------------	------

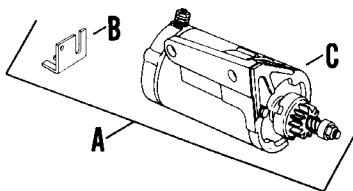
Use stock of original part number before ordering replacement.

A	Screw, starter mounting		
<p>Use with starter A-237511 (SMH12A5 or 05995-21-M030SM). Use 234947 with starter A-237131* (SMH12A2), B-237132 (SMH12A3) and A-237510* (SMH12A2). Use 234379 with A-236292 (SME12A13) and A-236396 (SME12A11). Use 234948 with A-237534 (SMH12A4 or 05994-24-M030SM, 45 098 01 (SMH12A201), 45 098 03 (SMH12A201) and 45 098 06 (14925-27-M030SM)</p>			
	62,69,71,72,81,85,87,89,90	234380	2
B	Bracket, support (Use 236737 prior to engine serial no. E-227420)	237239	1
	62,72,89		

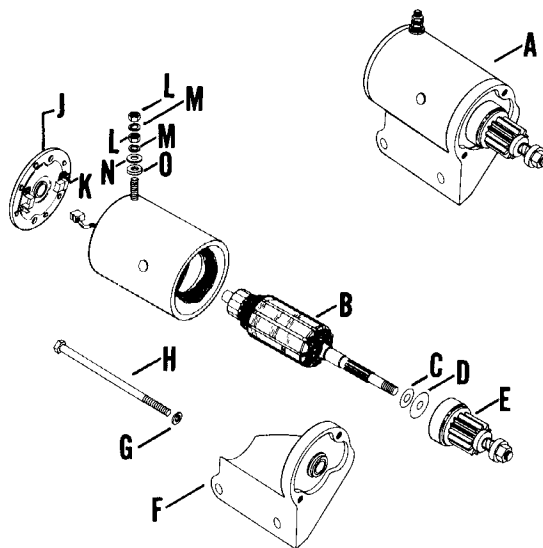
\*Dust shield kit 237555 was added to A-237131 starter which changes the starter number to A-237510.

INDEX LTR.	DESCRIPTION VARIATION NUMBER	PART NUMBER	QTY.
------------	------------------------------	-------------	------

A	Starter - assembly (low mount) (Includes B & C)	A-236292-S	
B	Bracket, starter support	237239	
C	Starter - assembly (See Pg. 39 Grid C11 for breakdown)	A-237511	

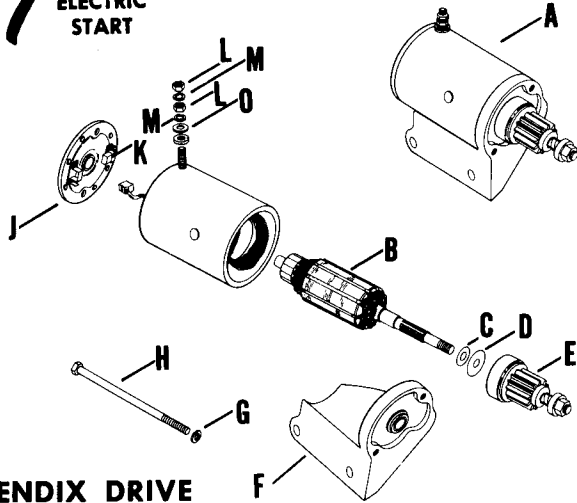


**BENDIX DRIVE**



ELECTRIC START

**11 ELECTRIC START**



**BENDIX DRIVE**

INDEX LTR.	DESCRIPTION VARIATION NUMBER	PART NUMBER	QTY.
------------	------------------------------	-------------	------

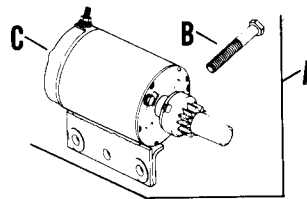
Use stock of original part number before ordering replacement.

A	Starter - assembly (High mount) (SME12A11) (Includes B thru J) (Replaced by A-236396-S kit)	A-236396	1
B	Armature	236571	1
C	Washer, spacer .005	236570	1
D	Washer, spacer .010	236568	1
E	Drive	236562	1
F	Kit, starter bracket	237225	1
G	Washer, split-thru bolt	236574	1
H	Bolt, thru	236577	2
J	Cap C.E.	236564	1
K	Brush and spring	236576	1
L	Nut, terminal lead	236575	2
M	Washer, split	236594	2
N	Washer, spacing	236573	1
O	Washer, insulator	236572	1

INDEX LTR.	DESCRIPTION VARIATION NUMBER	PART NUMBER	QTY.
------------	------------------------------	-------------	------

A	Starter - assembly (high mount) (Includes B & C)	A-236396-S	
B	Screw, H.C. (High mount starter for J. Deere when 236423 bracket is used)	234380	2
B	Screw, H.C. (High mount starter only mounting)	234948	2
C	Starter - assembly (See Pg. 39 Grid C11 for breakdown)	A-237534	

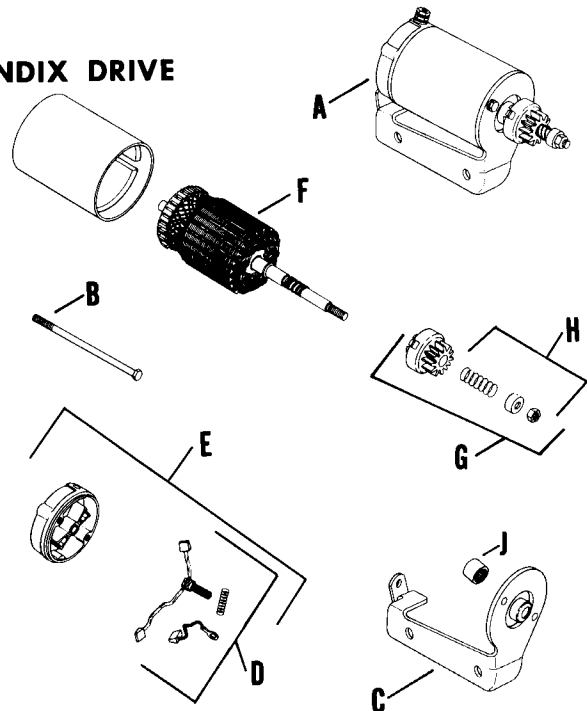
INDEX LTR.	DESCRIPTION VARIATION NUMBER	PART NUMBER	QTY.
------------	------------------------------	-------------	------



Use stock of original part number before ordering replacement.

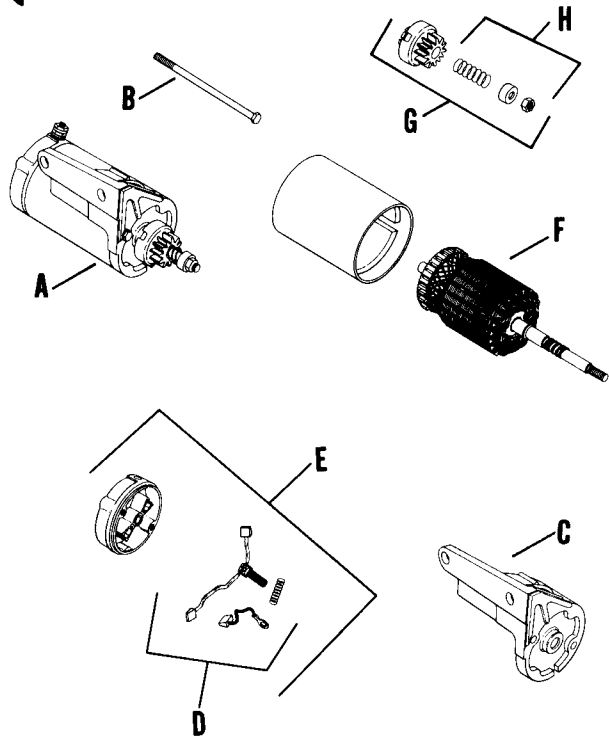
A	Starter - assembly (High mount) (SMH12A2) (Includes B thru J) (Replaced by A-237534)	A-237131	1
B	Bolt, thru w/washer	237358	2
C	Bracket and cap D.E.	237362	1
D	Kit, brush	48 755 15	1
E	Cap, commutator end	48 227 04	1
F	Armature	47 170 01	1
G	Kit, drive (Includes H)	47 755 07	1
H	Kit, drive parts	47 755 13	1
J	Bearing	41 030 01	1

**BENDIX DRIVE**



**ELECTRIC START**

**11 ELECTRIC START**



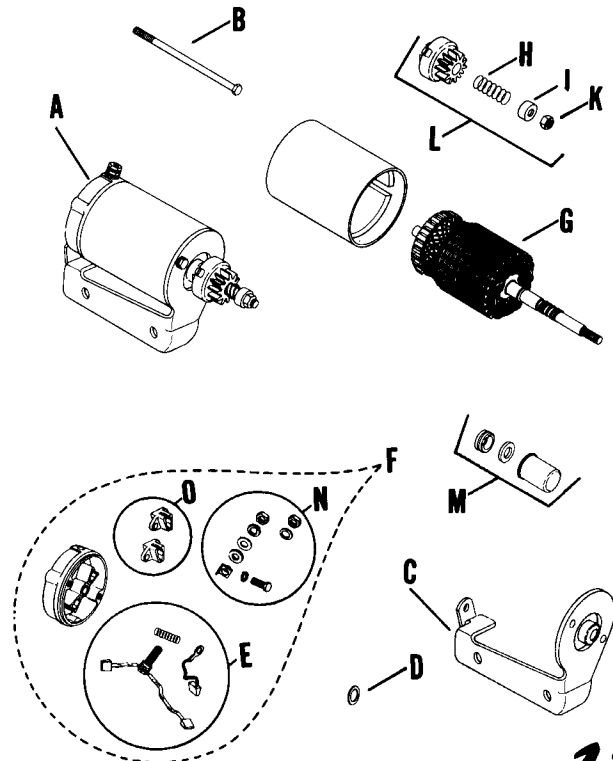
INDEX LTR.	DESCRIPTION VARIATION NUMBER	PART NUMBER	QTY.
Use stock of original part number before ordering replacement.			
A	Starter - assembly (High mount) (SMH12A4) (Includes B thru O) (Replaced by A-237534)	A-237510	1
B	Bolt, thru	237358	2
C	Bracket and cap D.E.	237362	1
D	Washer, armature thrust	237363	1
E	Kit, brush and spring	237367	1
F	Kit, commutator cap (Includes E, N & O)	237368	1
G	Armature	237364	1
H	Spring, anti-drift	237357	1
J	Spacer, stop gear (Starters with dust shield use 237645)	237356	1
K	Nut, stop	X-101-4	1
L	Kit, drive (Includes H, J & K)	237370	1
M	Kit, dust shield	237555	1
N	Kit, hardware	237761	1
O	Kit, brush holder	237762	1

**BENDIX DRIVE**

INDEX LTR.	DESCRIPTION VARIATION NUMBER	PART NUMBER	QTY.
------------	------------------------------	-------------	------

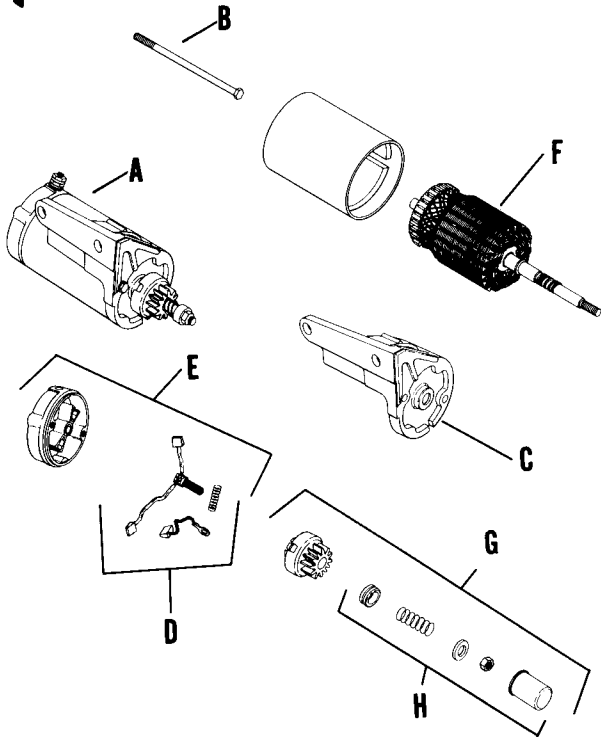
Use stock of original part number before ordering replacement.

A	Starter - assembly (Low mount) (SMH12A3) (Includes B thru H) (Replaced by A-237511)	A-237132	1
B	Bolt, thru	237646	2
C	Bracket and cap D.E.	237361	1
D	Kit, brush	48 755 15	1
E	Cap, commutator end	48 227 04	1
F	Armature	47 170 01	1
G	Kit, drive (Includes H)	47 755 07	1
H	Kit, drive parts	47 755 13	1



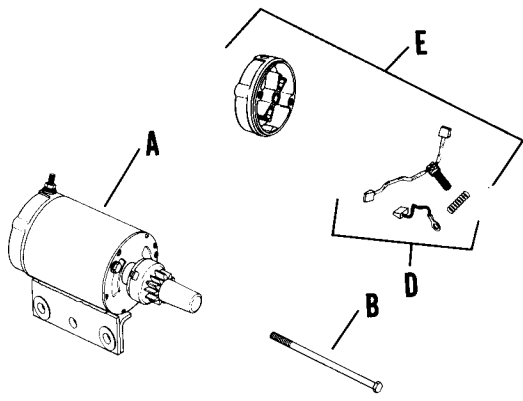
**BENDIX DRIVE**

**11 ELECTRIC START**



INDEX LTR.	DESCRIPTION VARIATION NUMBER	PART NUMBER	QTY.
Use stock of original part number before ordering replacement.			
A	Starter - assembly (High mount) (SMH12A4 or 05994-24-M030SM) (Includes B thru H)	A-237534	1
B	Bolt, thru w/washer	237649	2
C	Cap, drive end	237650	1
D	Kit, brush	48 755 15	1
E	Cap, commutator end	48 227 04	1
F	Armature	47 170 01	1
G	Kit, drive	47 755 07	1
H	Kit, drive parts	47 755 13	1

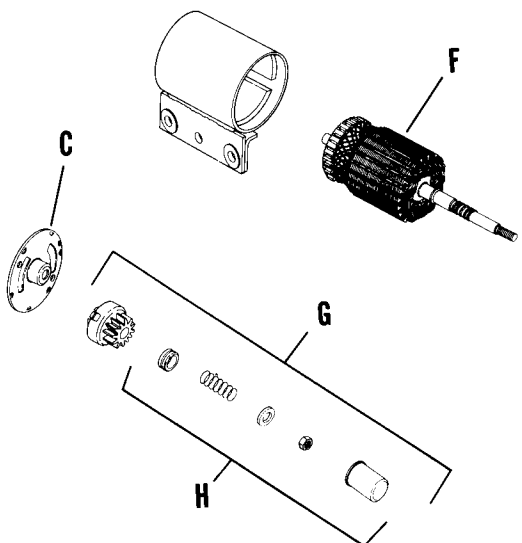
**BENDIX DRIVE**



INDEX LTR.	DESCRIPTION VARIATION NUMBER	PART NUMBER	QTY.
------------	------------------------------	-------------	------

Use stock of original part number before ordering replacement.

A	Starter - assembly (Low mount) (SMH12A5 or 05995-21-M030SM) (Includes B thru H)	A-237511	1
B	Bolt, thru w/washer	237646	2
C	Bracket and cap D.E.	237361	1
D	Kit, brush	48 755 15	1
E	Cap, commutator end	48 227 04	1
F	Armature	47 170 01	1
G	Kit, drive	47 755 07	1
H	Kit, drive parts	47 755 13	1



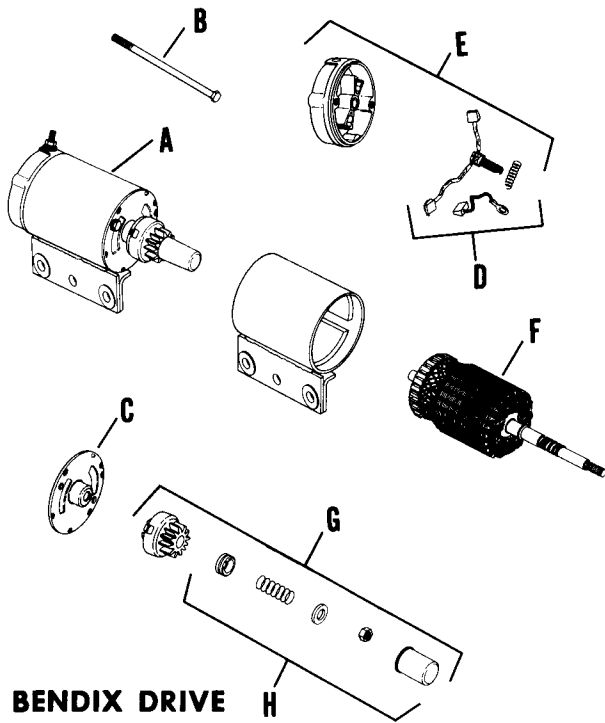
**BENDIX DRIVE**

**ELECTRIC START 11**

11

K 241

11 ELECTRIC START



BENDIX DRIVE

INDEX LTR.	DESCRIPTION VARIATION NUMBER	PART NUMBER	QTY.
------------	------------------------------	-------------	------

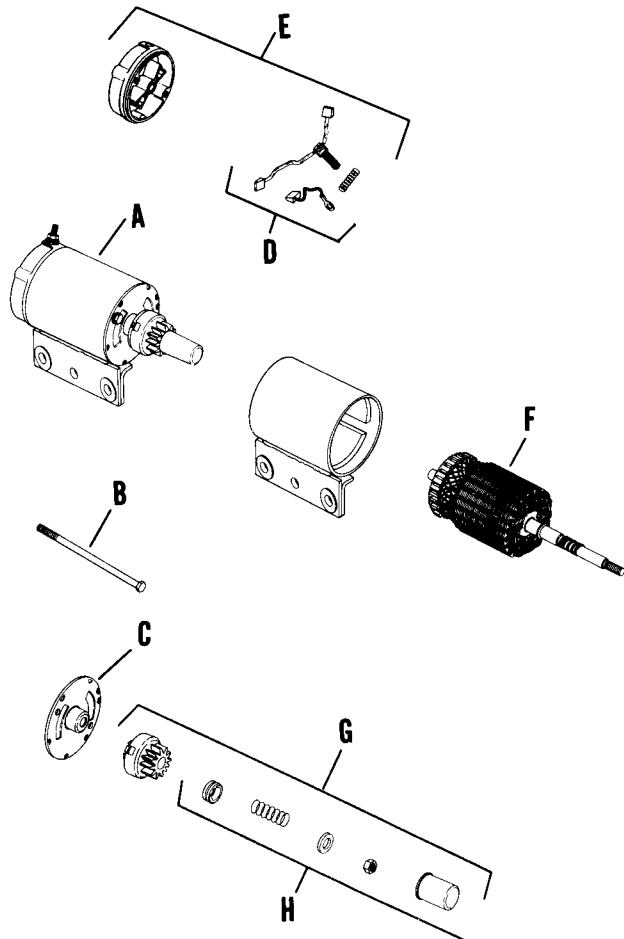
Use stock of original part number before ordering replacement.

A	Starter - assembly (High mount) (SMH12A201) (Includes B thru H) (Replaced by 45 098 03)	45 098 01	1
B	Bolt, thru w/washer	237649	2
C	Cap, drive end	237650	1
D	Kit, brush	48 755 15	1
E	Cap, commutator end	48 227 04	1
F	Kit, armature	45 755 09	1
G	Kit, drive	45 755 03	1
H	Kit, drive parts	47 755 13	1

INDEX LTR.	DESCRIPTION VARIATION NUMBER	PART NUMBER	QTY.
------------	------------------------------	-------------	------

Use stock of original part number before ordering replacement.

A	Starter - assembly (High mount) (SMH12A201) (Replaced by 45 098 05) (Includes B thru H)	45 098 03	1
B	Bolt, thru w/washer	237649	2
C	Cap, drive end	237650	1
D	Kit, brush	48 755 15	1
E	Cap, commutator end	48 227 04	1
F	Kit, armature	45 755 09	1
G	Kit, drive	45 755 03	1
H	Kit, drive parts	47 755 13	1

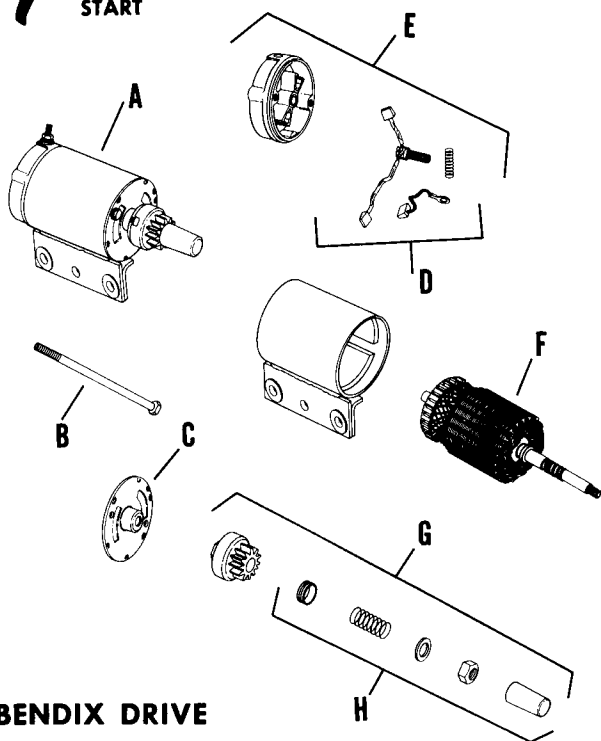


BENDIX DRIVE

ELECTRIC START

11

**11 ELECTRIC START**



**BENDIX DRIVE**

INDEX LTR.	DESCRIPTION VARIATION NUMBER	PART NUMBER	QTY.
------------	------------------------------	-------------	------

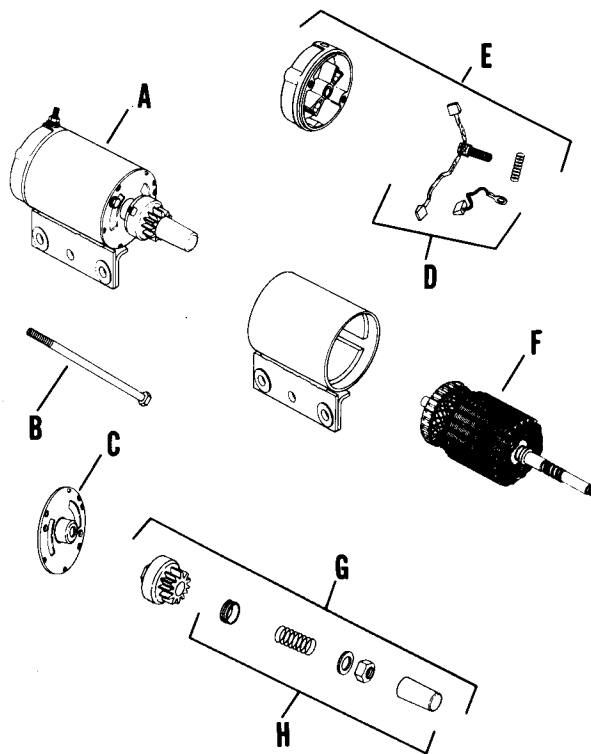
Use stock of original part number before ordering replacement.

A	Starter - assembly (High mount) (12507-29-M030SM) (Includes B thru H)	45 098 05	1
B	Bolt, thru w/washer	237649	2
C	Cap, drive end	237650	1
D	Kit, brush	48 755 15	1
E	Cap, commutator end	48 227 04	1
F	Armature	45 170 02	1
G	Kit, drive	47 755 07	1
H	Kit, drive parts	47 755 13	1

INDEX LTR.	DESCRIPTION VARIATION NUMBER	PART NUMBER	QTY.
------------	------------------------------	-------------	------

Use stock of original part number before ordering replacement.

A	Starter - assembly (High mount) (14925-27-M030SM) (Includes B thru H)	45 098 06	1
B	Bolt, thru w/washer	237649	2
C	Cap, drive end	237650	1
D	Kit, brush	48 755 15	1
E	Cap, commutator end	48 227 04	1
F	Armature	45 170 02	1
G	Kit, drive	47 749 01	1
H	Kit, drive parts	47 755 13	1

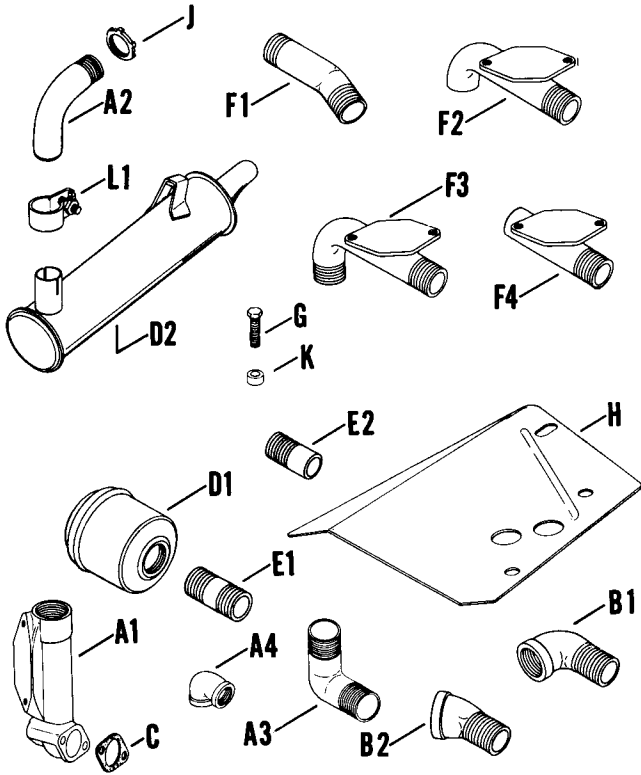


**ELECTRIC START**

# 12

## K 241

# 12 EXHAUST

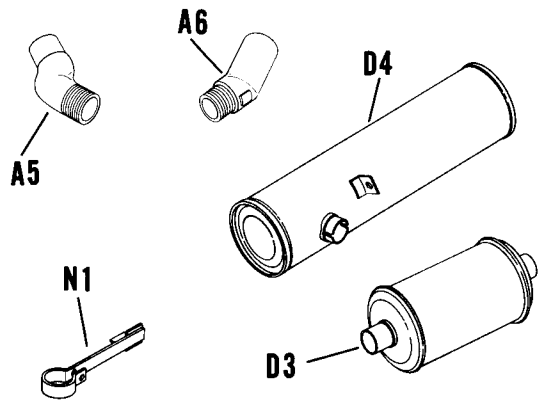


INDEX LTR.	DESCRIPTION VARIATION NUMBER	PART NUMBER	QTY.
D1	Muffler 1,2,3,5,12,14,15,20,24, 34,39,403,404,405,407,409, 410	275679	1
D2	Muffler 21	237550	1
	Muffler 30	237550	1
D3	Muffler 400	235724	1
D4	Muffler 401	233518	1
D5	Muffler 402	237485	1
E1	Pipe 1 I.P. x 3 1,3,15,34,39,403,404,409	X-218-22	1
	12	237097	1
	Pipe 1 I.P. x 2-1/2 2,5,9,20,410	X-218-23	1
	Pipe 1 I.P. x 9 31	X-218-5	1
	Pipe 1 I.P. x 4-1/2 31	X-218-10	1
	Pipe 1 I.P. x 6 (Discontinued-Not Available) 400	X21821	1
E2	Pipe 1 I.P. x 2-1/4 32	X-229-11	1
F1	Pipe, exhaust 14,16	235194	1
	22	236347	1
F2	Pipe, exhaust (Replaced by 237129) 27	237115	1
F3	Pipe, exhaust 28,402	237129	1

INDEX LTR.	DESCRIPTION VARIATION NUMBER	PART NUMBER	QTY.
------------	------------------------------	-------------	------

Use stock of original part number before ordering replacement.

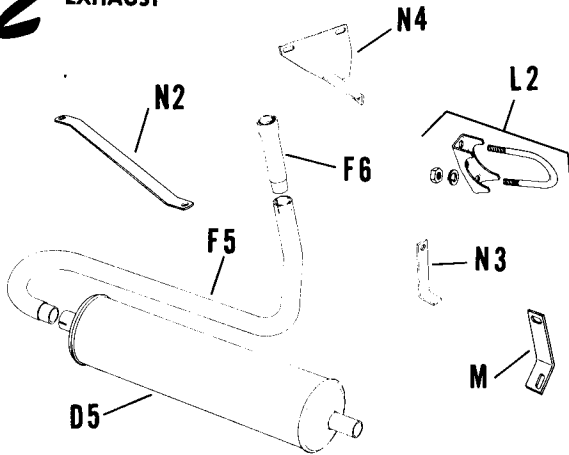
A1	Elbow, exhaust 2,31,36,404,410	235166	1
A2	Elbow, exhaust 21,30	235692	1
A3	Elbow, exhaust 24	231820	1
A4	Elbow, exhaust 31	X-215-15	1
A5	Elbow, exhaust 40	47 054 01	1
A6	Elbow, exhaust 41	47 054 02	1
B1	Elbow, street 4,5	230600	1
	400	151385	1
B2	Elbow, street 15,20,34	231441	1
C	Gasket, exhaust 2,12,31,36,404,406,410	235122	1



# EXHAUST 12



12 EXHAUST



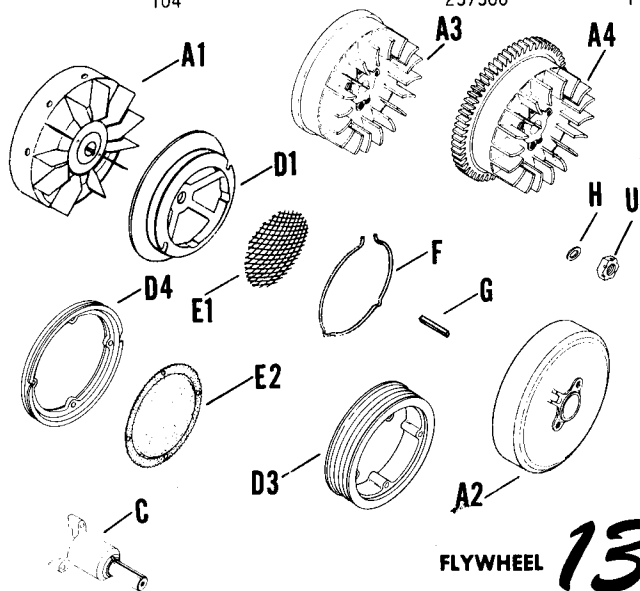
INDEX LTR.	DESCRIPTION VARIATION NUMBER	PART NUMBER	QTY.
F4	Pipe, exhaust 29,401	237113	1
F5	Pipe, exhaust 402	237603	1
F6	Pipe, exhaust 402	237608	1
G	Screw, hex. hd. 5/16 - 18 x 2-1/4 12	230578	1
H	Baffle, heat 21,30	237679	1
J	Nut, lock 4,5,14,15,16,20,21,22, 24,27,28,29,30,40,41, 401,402,407,408	AC-1536	1
	400	X1194	1
K	Spacer 30	X-400-72	1
L1	Clamp, muffler 30,401	237543	1
L2	Clamp, muffler 402	237548	3
M	Strap, mounting 401	233520	1
N1	Bracket, muffler (Discontinued-Not Available) 400	235725	1
N2	Bracket, muffler 402	237642	1
N3	Bracket, muffler mounting 402	237609	1
N4	Bracket, muffler mounting 402	237605	1

FLYWHEEL

INDEX LTR.	DESCRIPTION VARIATION NUMBER	PART NUMBER	QTY.
------------	------------------------------	-------------	------

Use stock of original part number before ordering replacement.

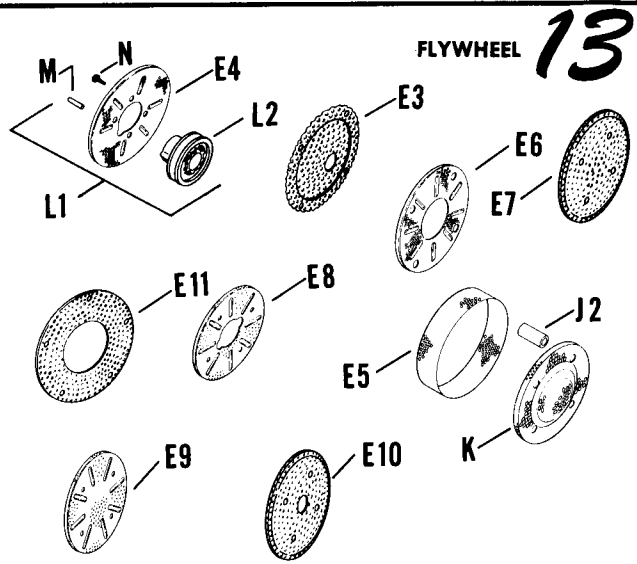
A1	Flywheel 1	A-235714	1
	2,3,8	A-235589	1
	5,6,38,42	A-235206	1
	10,26	A-235227	1
	11,12,13,14,22,24,27,37, 46	235080	1
	28	A-235498	1
	43	235638	1
A2	Flywheel 70,72,108,109	A-236252	1
A3	Flywheel 25	47 755 02	1
	33	235432	1
	47,48,55	A-235927	1
	49,54,58,67,74,101, 121,200,601	A-235908*	1
	50,91,105,111	235818	1
	56,68,73,127	A-235978	1
	66	235464	1
	69,96	237297	1
	128	237893	1
	Flywheel (Discontinued--Not Available) 104	237300	1



FLYWHEEL

\*REVIEW PARTS BULLETIN NO. 129 BEFORE ORDERING

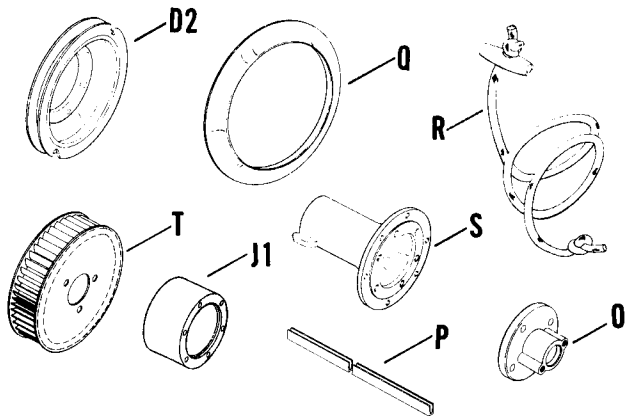
INDEX LTR.	DESCRIPTION VARIATION NUMBER	PART NUMBER	QTY.
A4	Flywheel 60,82,84,92,94	47 025 11	1
	81,123	A-236707	1
	88	A-236773	1
	137,144	47 025 28	1
	138	47 025 44	1
	98	A-236864	1
	Flywheel (Replaced by 47 025 18) 114	A-237385	1
	Flywheel (Replaced by 47 025 23) 130	47 025 06	1
	Flywheel (Replaced by 47 025 22) 132	47 025 05	1
	93	47 025 13	1
	Flywheel (Replaced by 47 025 28) 103,115,118,119,122,124	47 025 08	1
	133	47 025 02	1
	Flywheel (Replaced by 47 025 27) 120	47 025 07	1
	Flywheel (Replaced by 47 025 44) 136	47 025 30	1
	Flywheel (Replaced by 47 025 24) 135 139,143	47 025 14 47 025 41	1 1
C	Flywheel 600	47 025 24	1
	Shaft, front drive 10,13,26,73	235226	1
	27,46,56,119,127	235377	1
	37,91	235556	1
	50	235954	1
D1	111,122,135	237350	1
	Pulley, rope start (Discontinued--Not Available) 1	235149	1
	D2	Pulley, rope start 2,8,72,108	235752
D3		Pulley, electric start (Double groove) 5,12	235210
	24,42,74	235325	1
D4	Pulley (Single groove) 6,10,11,13,14,22,26, 27,30,37,38,46,50,54, 56,60,67,68,69,73,81, 91,94,96,103,105,111	235207	1



INDEX LTR.	DESCRIPTION VARIATION NUMBER	PART NUMBER	QTY.
(D4-CONTINUED)			
	Pulley, electric start (Single groove) 33,47,55,66,104,128	235784	1
E1	Screen, grass 1	235098	1
E2	Screen, grass 5,6,11,12,38,54,60,67, 68,69,81,94,103	235208	1
	33,47,66,104,128	235462	1
E3	Screen, grass 10,13,27,37,50,56,73, 91,111	235052	1
	22,96	235321	1
E4	119,127,133,135	237029	1
	Screen, grass 25	235190	1
	E5	Screen, cylinder 30,55	231988
E6		Screen, grass 48	235689
	58	47 162 06	1
	136,138	47 162 10	1
E7	Screen, grass (Replaced by 47 162 02) 49	237377*	1
	Screen, grass (Replaced by 47 162 04) 122	237094	1
E8	Screen, grass 84,93,118,121,123,143	236688	1
	Screen, grass 92,115,139,144	237372	1

\*REVIEW PARTS BULLETIN NO. 129 BEFORE ORDERING

INDEX LTR.	DESCRIPTION VARIATION NUMBER	PART NUMBER	QTY.	INDEX LTR.	DESCRIPTION VARIATION NUMBER	PART NUMBER	QTY.
E9	Screen, grass (Replaced by 47 162 03) 124	236681	1	K	Cover, screen 30	231989	1
					55	235781	1
E10	Screen, grass 130	237284	1	L1	Cup and screen - assem. (Includes E4,L2,M & N) 25	A-235189	1
E11	Screen, grass (Use 237377 after serial no. 4352183) 200	237250	1	L2	Cup, drive 25,130	231817	1
F	Retainer, grass screen 1	235364	1	M	Pin, dowel 25,130	X-56-7	1
G	Key (Use X-286-15 after serial no. 5071832) 1,2,3,5,6,8,10,11,12,13, 14,22,24,25,26,27,28,30, 33,37,38,42,43,47,48,56, 66,96	X-366-1	1	N	Screw, self tap #8 - 32 x 1/4 25	X-67-41	4
	Key 49,50,54,55,58,60,67,68, 69,70,72,73,74,81,82,84, 88,91,92,93,94,98,101, 103,104,105,108,109,111, 114,115,118,119,120,121, 122,123,124,127,128,130, 132,133,135,136,137,138, 139,143,144,200,600,601	X-286-17	1	O	Adapter, front drive 92,115,139,144	237373	1
H	Washer 3/4 1,2,3,8,72	X-26-10	1	P	Channel, rubber (Not used after engine serial no. 4352183) 200	X-532-2	1
	6,10	X-25-71	1	Q	Ring, air inlet 38, 67	235596 236557	1 1
	Washer 5/8 49,54,70,73,108,109,121, 127,135,136	X-25-88	1	R	Rope ALL	A-230099	1
J1	Spacer, pulley (Discontinued--Not Available) 8	235144	1	S	Support, rotor 2 3,8 72,108	235588 235591 236593	1 1 1
	Spacer, pulley 108	237641	1		Support, rotor (Replaced by 236593) 70,109	236474	1
J2	Spacer 30,55	X-400-35	4	T	Rotor 2,70,72,108 3,8 109	235590 235099 277227	1 1 1
				U	Nut, hex. 3/4 - 16 1,2,3,8,72	X-89-11	1
					Nut, hex. 3/4 - 16 (Discontinued--Not Available) 5,6,10,11,12,13,14,24,26, 27,28,30,37,38,42,43,46	X-119-16	1
					Nut, hex. 5/8 - 18 25,33,47,48,49,50,54,55, 56,58,60,66,67,68,69,70, 73,74,81,82,84,88,91,92, 93,94,96,98,101,103,104, 105,108,109,111,114,115, 118,119,120,121,122,123, 124,127,128,130,132,135, 137,138,139,143,144,600, 601	X-119-14	1

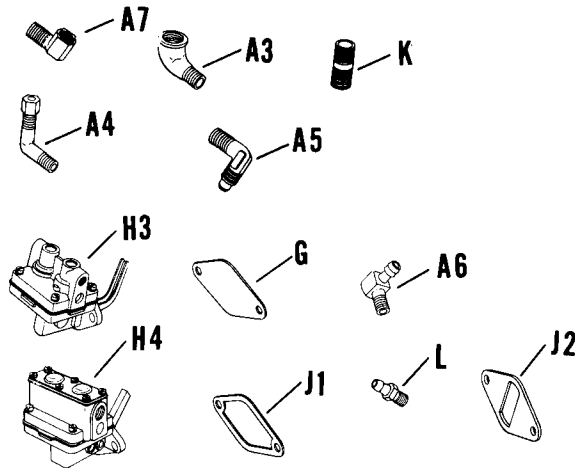


14

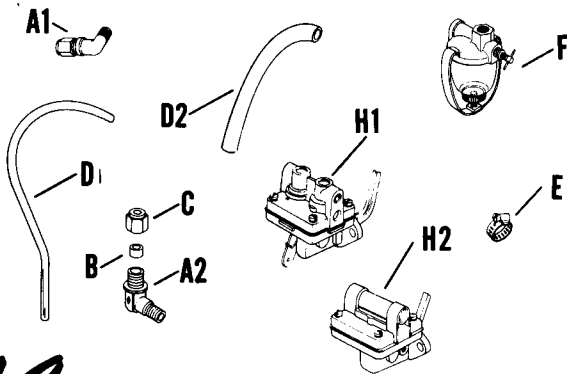
K 241

14

INDEX LTR.	DESCRIPTION VARIATION NUMBER	PART NUMBER	QTY.
Use stock of original part number before ordering replacement.			
A1	Elbow, compression 1	A-220146	1
A2	Elbow (Copper fuel line only) 1	231510	2
	2,4,5,6,7,15,19,20,30,46, 402	231510	1
A3	Elbow, street 1/8 x 90° 2,4,5,6,15,19,25,27,29, 39,42	X-211-10	1
	28	X-211-10	2
	Elbow, street 1/8 x 45° 7,24,45	X-274-4	1
A4	Elbow, compression 90° 2,4,7,27,42	A-822	1
A5	Elbow, oil line connection 5,25,29	X-447-10	1
A6	Elbow, hose 90° (Rubber fuel line only) 6,19,20,22,24,25,27,28, 29,30,33,42,45,46,48,49, 53,55,57,58,60,61,402	X-391-1	1
	21,23,38,39,43,47,52,59, 63,64,403	X-391-1	2
	47,60,61,69	X-391-11	1
	69	25 155 02	1
	Elbow, hose 90° (Rubber fuel line only) (Use X-391-1 prior to engine serial no. 5155716) (Replaced by X-391-11) 47,48,53	X-391-8	1
A7	Elbow, street 1/8 x 90° 43	X-555-2	1



INDEX LTR.	DESCRIPTION VARIATION NUMBER	PART NUMBER	QTY.
B	Sleeve (Copper fuel line only) 1	220547	2
	2,4,5,6,7,15,46,49	220547	1
C	Nut (Copper fuel line only) 1	220786	2
	2,4,5,6,7,15,46,49	220786	1
D1	Line, fuel (Pump to carburetor) 7-1/8 copper 1,2,4,5,6,7,15	235097	1
D2	Line, fuel (Pump to carburetor) 5 rubber (Copper fuel line 235097) ALL (except 1,2,3,4,5,6,7, 13,15,34,43,57)	X-810-1	1
	Line, fuel (Pump to carburetor) 5-1/2 rubber 43	X-386-42	1
	Line, fuel 6-1/2 rubber 55	X-697-5	1
	Line, fuel 6-1/4 rubber 57	X-807-6	1
	Line, fuel 64	X-807-7	1
	Line, fuel 20 rubber 404	X-811-1	1
E	Clamp, hose (Rubber fuel line only) ALL (except 1,2,3,4,5,6,7, 13,15,34,55)	X-426-9	2
	55	X-426-9	1
F	Filter, fuel (Refer to Index Letter L, Group 15 for assembly details - Grid D7 ) 2,4,5,6,7,19,24,25,27,29, 39,42,43,45,46,402	A-210101	1



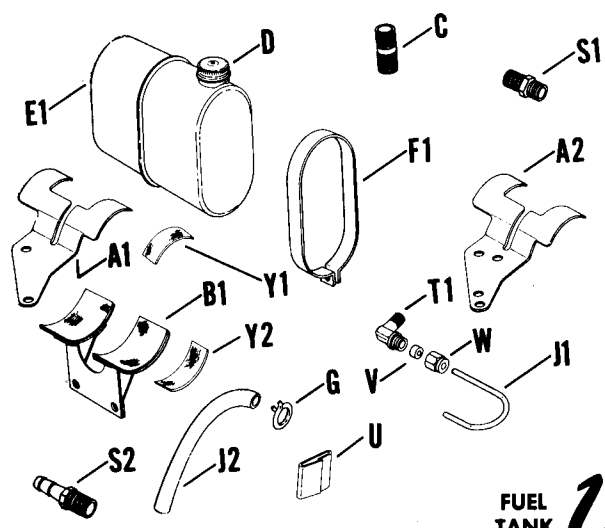
14 FUEL PUMP

INDEX LTR.	DESCRIPTION VARIATION NUMBER	PART NUMBER	QTY.
G	Cover, pump pad 3	240282	1
H1	Pump, fuel (Use A-235361 on engines prior to spec suffix "D") 1,2,4,5,6,7,15,19,20,22,23,24,25,28,29,30,39,42,45,48,49,53,402,403	A-235807	1
	Pump, fuel (Includes gasket) 61,404	47 559 01	1
H2	Pump, fuel (No repair kit available) 13	A-235425	1
	Pump, fuel (Replaced by A-235807) 34	A-235761	1
H3	Pump, fuel (Use A-235366 on engines prior to spec suffix "D") 21,27,33,38,43,46,47,64	A-235845	1
	Pump, fuel 55	47 393 08	1
	Pump, fuel (Includes gasket) 59	47 559 03	1
	57,58	47 559 02	1
	56,60,63	47 559 04	1
H4	Pump, fuel 52	A-236205	1
J1	Gasket, fuel pump pad ALL (except 52)	47 041 04	1
J2	Gasket, fuel pump insulator 52	277649	1
K	Nipple 1/8 x 1 2,5,19,29,39,42,43	X-217-7	1
	Nipple 1/8 x 2-1/2 4,27,45	167196	1
	Nipple 1/8 x 3/4 6	X-217-6	1
	Nipple 1 x 2-1/2 39	X-218-23	1
L	Connector 55,57	X-380-2	1
M	Repair kit (Use only with pumps having letter "B" stamped on body)(Use kit 235362 on pumps A-235361 & A-235366) (Includes diaphragm spring, valve assembly, valve gasket and pulsator diaphragm) 6,7,19,20,21,22,23,24,25,27,28,29,30,33,34,38,39,42,43,45,46,47,48,49,53,55,402,403	230675	1

INDEX LTR.	DESCRIPTION VARIATION NUMBER	PART NUMBER	QTY.
(M-CONTINUED)			
	Repair kit (Use only with pumps having letter "B" stamped on body) (Includes diaphragm spring, valve assembly, valve gasket and pulsator diaphragm) 52	236387	1

**FUEL TANK 15**

INDEX LTR.	DESCRIPTION VARIATION NUMBER	PART NUMBER	QTY.
Use stock of original part number before ordering replacement.			
A1	Bracket, upper tank 1,2,4,9,10,12,16,17,21,24,27	45 217 02	1
A2	Bracket, upper tank 28,29,30,31,450	45 217 01	1
	Bracket upper tank (w/webbing) 35,36,460	47 217 10	1
	Bracket, upper tank (w/o webbing) 35,36,460	45 066 03	1
A3	Bracket, upper tank 451	275415	1
B1	Bracket, lower tank 1,2,4,9,10,12,16,17,21,24,27,28,29,30,31,450,452	236934	1
	Bracket, lower tank (w/webbing) 35	47 217 11	1
	451	275416	1
	Bracket, lower tank (w/o webbing) 35,36,460	47 066 02	1

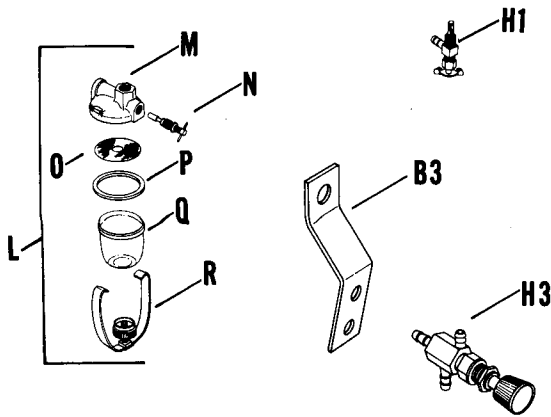


**FUEL TANK 15**

INDEX LTR.	DESCRIPTION VARIATION NUMBER	PART NUMBER	QTY.	INDEX LTR.	DESCRIPTION VARIATION NUMBER	PART NUMBER	QTY.
B2	Bracket 5,7,18,34	236939	1	G	Clamp 18,34	X-426-9	2
	25	236943	1		Clamp (Replaced by X-426-8) 21,24,27,28,29,30,31,450	X-309-8	2
B3	Bracket, valve 34	46 126 01	1	H1	Valve, fuel (Use 237884 after engine serial no. 5155715) 9,21,24,28,29,450	220764	1
B4	Bracket, tank 456	237898	1		Valve, fuel 34,452	220764	1
C	Nipple 1/8 x 1 1,2,10,12.	X-217-7	1		35,36,458,459	47 462 01	1
	Nipple 1/8 x 3/4 4,5,7,18	X-217-6	1	H2	Valve, 3-way 12	244817	1
	Nipple 1/8 x 1-1/2 12	X-217-2	1	H3	Valve, fuel 34	46 462 02	1
D	Cap, tank 1,2,5,9,12,16,17,18,27,30	236655	1	J1	Line, fuel 22 copper 1,2,4,10,457	X-294-5	1
	4,10,21,24,25,28,29,31, 35,450	220956	1		Line, fuel 6 steel 5,7	235372	1
	7	220853	1		Line, fuel 20 copper 12,453	X-294-15	1
	34	236655	2		Line, fuel 27 copper (Replaced by X-294-16) 16,17	X-294-22	1
E1	Tank, fuel 1.5 gallon (Includes cap) 1,2,4,9,10,12,16,17,21,24, 27,28,29,30,31,35,36,450, 452,458,459	235164	1	J2	Line, fuel 20-1/2 rubber 9,454	X-386-20	1
	451,455	236684	1		Line, fuel 6-1/2 rubber 18	X-697-5	1
E2	Tank, fuel 1.7 gallon (Includes cap) 5,7,18	235370	1	(J2-CONTINUED NEXT PAGE)			
	Tank, fuel 2.0 gallon (Includes cap) 25,456	235935	1				
E3	Tank, fuel (Gas/kerosene) (Includes caps) 34	41 065 01	1				
F1	Strap (Includes 1 screw X-5-26 & 1 nut X-101-8) 1,2,4,9,10,12,16,17,21,24, 27,28,29,30,31,35,36,450, 452	237639	2				
	Strap (Includes 1 screw X-5-26 & 1 nut X-101-8) 451	237640	2				
F2	Strap (Includes 1 screw X-776-1 & 1 nut X-101-8) 5,7,18,34	A-236938	2				
	Strap (Includes 1 screw X-776-1 & 1 nut X-101-8) 25,452,456	A-236942	2				

FUEL  
TANK

**15 FUEL TANK**

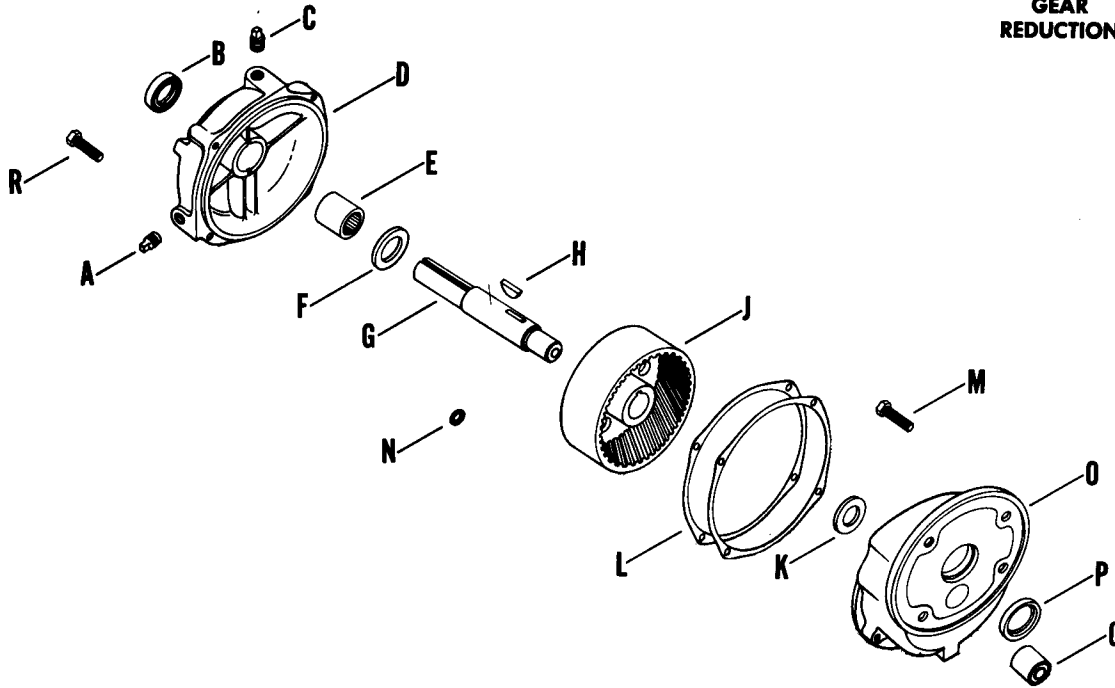


INDEX LTR.	DESCRIPTION VARIATION NUMBER	PART NUMBER	QTY.
(J2-CONTINUED)			
	Line, fuel 20 rubber (Replaced by X-788-1) 21,24,27,28,29,30,31,450	X-744-2	1
	Line, fuel 20 rubber 458,459	X-788-1	1
	35,36	X-809-1	1
	Line, fuel 15 rubber 34,452	X-386-22	1
	Line, fuel 6-1/4 rubber 34	X-386-31	1
	Line, fuel 10-1/2 rubber 34	X-386-1	1
K	Clip 9	X-414-2	1
L	Filter, fuel - assembly (Includes M thru R) 1,2,4,5,7,10,12,18,453, 454,457	A-210101	1
M	Top, filter 1,2,4,5,7,10,12,18,453, 454,457	210478	1
N	Valve, needle 1,2,4,5,7,10,12,18,453, 454,457	A-210480	1
O	Screen, filter 1,2,4,5,7,10,12,18,453, 454,457	210479	1
P	Gasket, filter 1,2,4,5,7,10,12,18,453, 454,457	210468	1
Q	Bowl, glass 1,2,4,5,7,10,12,18,453, 454,459	210467	1
R	Bail 1,2,4,5,7,10,12,18,453, 454,457	A-210477	1

INDEX LTR.	DESCRIPTION VARIATION NUMBER	PART NUMBER	QTY
S1	Connector 5,7,16,17,453,457	231509	1
S2	Connector 18	X-380-1	1
	454	X-495-1	1
T1	Elbow, compression 1,2,4,10,12	231510	1
T2	Elbow, street 12	X-211-10	1
T3	Elbow 451	A-220146	1
U	Seal, strap (Discontinued--Not Available) 35,451	X-371-1	2
V	Sleeve 1,2,5,7,10,16,17	220547	2
	4,12,453,457	220547	1
W	Nut 1,2,5,7,10,16,17	220786	2
	4,12,453,457	220786	1
X	Spacer 28,31,458	X-400-89	2
Y1	Webbing (upper bracket) 35,36,460	X-295-35	2
Y2	Webbing (lower bracket) 35,36,460	X-295-25	2

**GEAR REDUCTION 16**

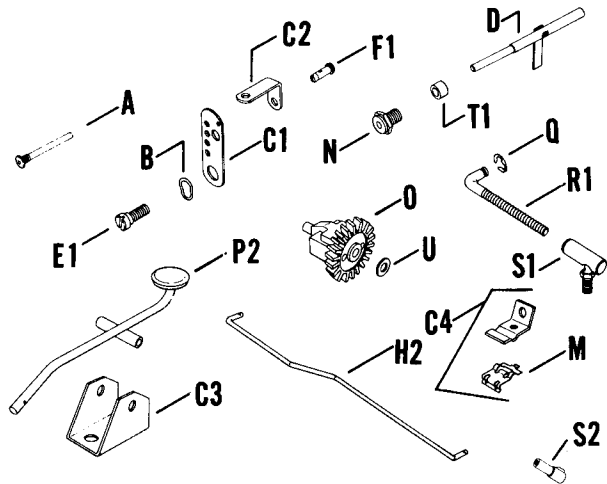
INDEX LTR.	DESCRIPTION VARIATION NUMBER	PART NUMBER	QTY
A	Plug, pipe 1/4 2	X-75-2	1
	3	X-75-2	2
B	Seal, oil 2,3	X-379-7	1
C	Plug, vent 2,3	205013	1
D	Cover, housing 2	235244	1
	3	235534	1
E	Bearing, needle 2,3	235250	1
F	Washer, thrust 2,3	235247	1



INDEX LTR.	DESCRIPTION VARIATION NUMBER	PART NUMBER	QTY.	INDEX LTR.	DESCRIPTION VARIATION NUMBER	PART NUMBER	QTY.
G	Shaft 2,3	235249	1	N	Washer, brass 13/32 I.D. x 11/16 O.D. x 1/16 2	X-25-67	2
H	Key, woodruff #13 2,3	X-46-3	1		Washer, copper 25/64 I.D. x 5/8 O.D. x 1/16 3	S-368	2
J	Gear 2	235245	1	O	Housing, gear 2	235243	1
	Gear (Discontinued--Not Available) 3	235535	1		3	235533	1
K	Washer, thrust 2,3	235248	1	P	Seal, oil 2	X-271-30	1
L	Gasket .03125 2	230218	1		3	235531	1
	3	235537	1	Q	Bearing, needle 2	235251	1
	Gasket .005 3	235538	1		Bearing, shaft 3	235532	1
	Gasket .015 3	236651	A.R.	R	Screw, hex. hd., Z.P. 5/16 - 18 x 2 2	X-6-29	4
	Gasket .020 3	236652	A.R.		Screw, hex. hd. 5/16 - 18 x 1-1/2 3	230175	8
M	Screw, hex. hd. 3/8 - 16 x 1 2,3	270677	4				



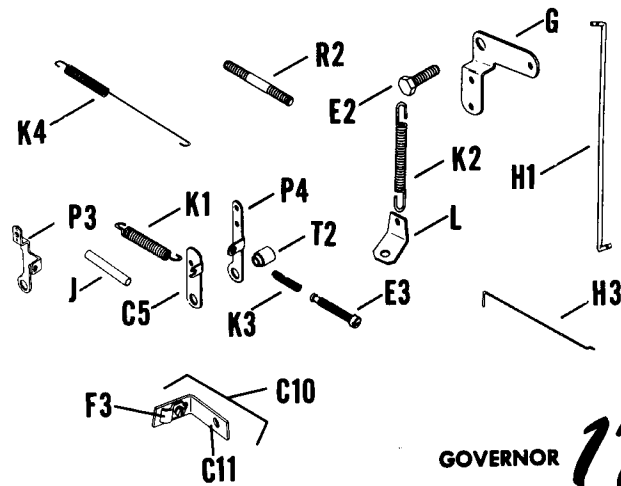
**17 GOVERNOR**



INDEX LTR.	DESCRIPTION VARIATION NUMBER	PART NUMBER	QTY.
C9	Bracket, control 37	47 126 13	1
C10	Bracket, choke assembly (Includes C11 & F3) 37	47 217 08	1
C11	Bracket, choke 37	47 126 12	1
	Bracket, throttle 37	47 126 14	1
D	Kit, governor cross shaft (Includes X-400-80 spacer) (Use 237455 shaft after serial no. 3173783) 1,2,4,6,7,9,10,11,12, 13,14,15,16,17,19,20, 22,23,25,800,801	A-235256-S	1
	Shaft, governor cross 27,28,29,31,32,33,36, 37,38,802	237455	1
E1	Screw, shoulder 1,2,10,33	235477	1

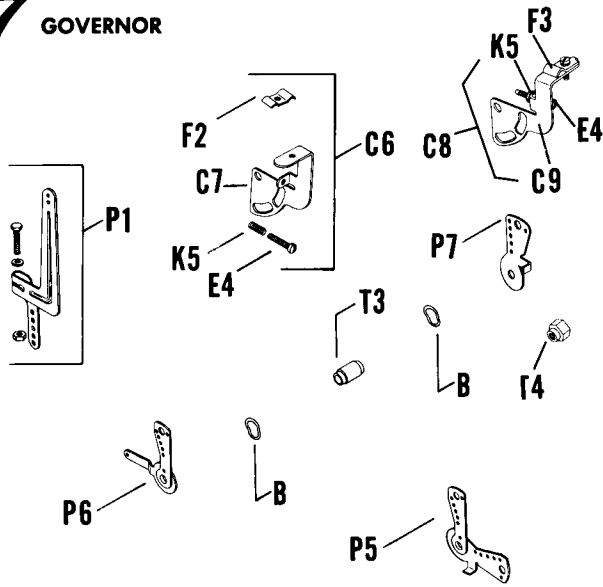
INDEX LTR.	DESCRIPTION VARIATION NUMBER	PART NUMBER	QTY.
Use stock of original part number before ordering replacement.			
A	Pin, governor stop ALL	231355	1
B	Washer, tension 1,2,6,7,9,12,13,14,15,16, 17,19,20,22,27,28,29,33, 36,37,800,801,802	275690	1
	10,31,32	275690	2
C1	Bracket, speed control 1,2,6,7,9,10,12,13,14, 15,16,20,27,28,29,33,36, 800,801,802	235086	1
	17	236249	1
C2	Bracket, adjusting screw 1,2,7,9,10,12,13,14,15, 16,17,20,27,28,29,33,800, 802	235084	1
C3	Bracket, throttle lever 4	235343	1
C4	Bracket, throttle - assembly (Includes 235603 clip) 15,16,20,27,802	A-237559	1
C5	Bracket, speed control 19,22	236413	1
C6	Bracket, control - assembly (Includes C7,E4,F2 & K5) 31	47 217 06	1
	32	47 217 05	1
C7	Bracket, control 31,32	47 126 09	1
C8	Bracket, control - assembly (Includes C9,E4,F3 & K5) 37	47 217 09	1

E2	Screw, special shoulder 4	235349	1
E3	Screw, adjusting 19,22	237574	1
E4	Screw 31,32,37	232556	1
F1	Clamp, swivel wire (Replaced by 48 237 01) 9,13,14,15,16,17,20,27, 28,32,800	231052	1
	Clamp, swivel wire (Replaced by 48 755 10 kit) 802	48 237 02	1
F2	Clamp 31,32	47 237 02	1
F3	Clamp 37	235778	2
G	Bellcrank 4	235346	1



**GOVERNOR 17**

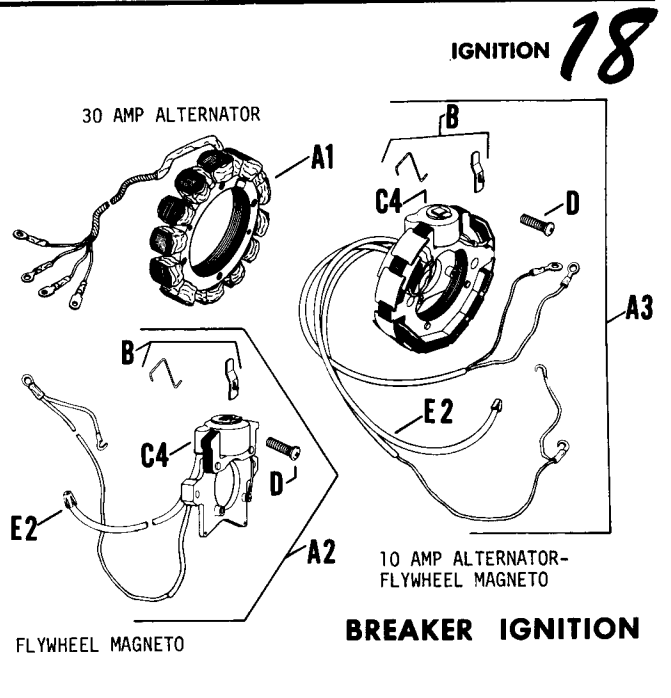
# 17 GOVERNOR



INDEX LTR.	DESCRIPTION VARIATION NUMBER	PART NUMBER	QTY.
0	Gear, governor 1,6,7,9,11,12,13,14,15, 16,17,19,20,22,23,25,27, 28,29,31,32,37,38,800, 801	A-237031	1
	Kit, governor gear (Includes W) 2,33,36	A-236294-S	1
	10,802	A-235743-S	1
P1	Lever, governor (Includes 1 screw X-776-1, 1 washer X-25-72 and 1 nut X-81-1) 1,2,4,6,7,9,10,11,12,13, 14,15,16,17,19,20,22,23, 25,27,28,29,33,36,38,800, 801	A-237653	1
	31,32,37,802	45 087 03	1
P2	Lever, throttle 4	235344	1
P3	Lever, adjusting screw 19	237833	1
P4	Lever, adjusting screw 22	237069	1
P5	Lever, throttle control 31	47 090 08	1
P6	Lever, choke control 31	47 090 07	1
	32	47 090 06	1
P7	Lever, throttle control 32	47 090 04	1
	37	47 090 09	1
Q	Retainer, rod 1,2,4,6,7,9,11,12,13,14, 15,16,17,19,20,23,25,27, 28,29,31,32,33,36,37,38, 800,801,802	235278	1
R1	Rod, ball joint 1,2,4,6,7,9,11,12,13,14, 15,16,17,19,20,23,25,27, 28,29,31,32,33,37,38,800, 801	235277	1
R2	Rod, throttle 2,22,33	235078	1
	10	271219	1
S1	Ball joint 1,4,6,7,9,11,12,13,14,15, 16,17,19,20,23,25,27,28, 29,31,32,800,801	237130	1
	2,10,22,33	237130	2
S2	Ball joint 37	45 208 03	1

INDEX LTR.	DESCRIPTION VARIATION NUMBER	PART NUMBER	QTY.
H1	Linkage, throttle lever to bellcrank 4	235345	1
H2	Linkage, bellcrank to governor arm 4	235348	1
H3	Linkage, choke 31,32	47 079 01	1
J	Damper, spring 33	45 263 01	1
K1	Spring, governor 1,6,7,9,10,12,13,15,16, 17,19,20,22,23,25,27,28, 29,36,38,800,801,802	235496	1
	2,14,33	235495	1
	4	231070	1
K2	Spring 13,29	152631	1
K3	Spring 19,22	237573	1
K4	Spring, governor 31,32,37	47 091 01	1
K5	Spring 31,32,37	232555	1
L	Arm, spring 4	235347	1
M	Clip 15,16,20,27,802	235603	1
N	Bushing ALL	235476	1

INDEX LTR.	DESCRIPTION VARIATION NUMBER	PART NUMBER	QTY.
T1	Spacer (Use only on engines after serial no. 3173783) 1,2,4,6,7,9,10,11,12,13,14,15,16,17,19,20,22,23,25,27,28,29,31,32,33,36,37,38,800,801,802	X-400-80	1
T2	Spacer 1,6,7,9,10,12,13,14,15,16,17,20,27,28,29,36,800,801,802	235085	1
	2,33	45 112 01	1
	19,22	236415	1
T3	Spacer 31,32	47 112 02	1
T4	37	47 112 03	1
U	Washer, thrust (Use with nylon gear) (Use X-25-67 with steel gear) 1,2,6,7,9,10,11,12,13,14,15,16,17,19,20,22,23,25,27,28,29,31,32,33,36,37,38,800,801,802	237022	1



IGNITION 18

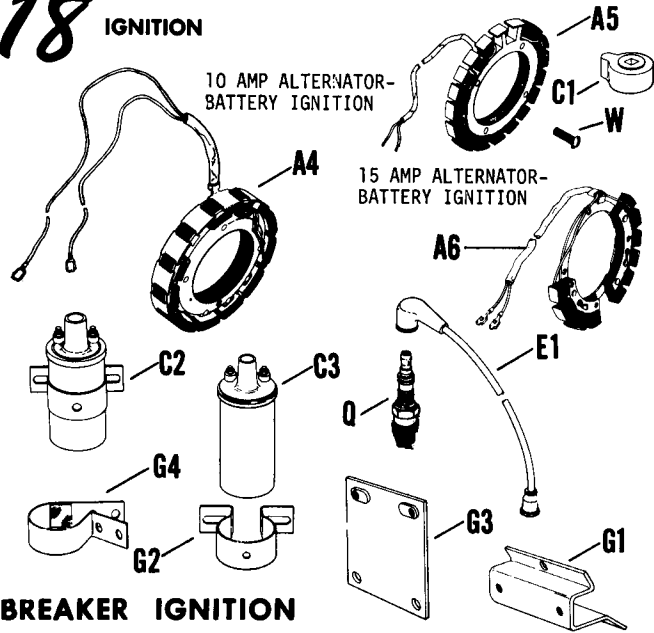
BREAKER IGNITION

18 IGNITION

INDEX LTR.	DESCRIPTION VARIATION NUMBER	PART NUMBER	QTY.
	Use stock of original part number before ordering replacement.		
A1	Stator 49	277063	1
A2	Stator, magneto - assem. (Includes B,C4,D & E2) 50,55,58,63,64,65,66,78,82,93,105,122,133,136,510	A-235741	1
	Stator, magneto (Replaced by 47 085 10) 132,139	47 085 09	1
A3	Stator, magneto - alternator (Includes B,C2,D & E2) (Replaced by 237876 kit) 62,68	A-234388	1
	75,76	A-236776	1
A4	Stator 85	237065	1
A5	Kit, stator 90,99,104,106,111,112,113,114,115,121,124,126,131,134,135,137,138,145,146,503,504,505,506,507,508,511	237878	1
	Stator 127	237716	1
A6	Stator 140,144	45 085 02	1
A7	Stator, magneto - assem. (Includes B,C4,E2 & T1) 153	47 085 13	1

INDEX LTR.	DESCRIPTION VARIATION NUMBER	PART NUMBER	QTY.
B	Kit, coil clip 50,55,58,60,62,63,64,65,66,68,75,76,78,82,93,105,122,153,510	237919	1
C1	Coil, magneto (See Crankcase--Index Letter K1) Stator part	275756	1
C2	Coil, ignition 12 volt 7,12,17,18,19,25,31,32,33,35,41,45,46,49,51,60,67,77,90,104,106,107,109,111,112,113,114,115,118,121,124,127,129,130,131,134,135,137,138,140,144,145,146,500,502,503,504,505,506,507,508,511	231281	1
	Coil, ignition 12 Volt (Replaced by 231281) 53	232845	1
C3	Coil ignition 12 volt 23,74,85,99,126	47 145 01	1
C4	Kit, coil 50,55,58,62,63,64,65,66,68,75,76,78,82,93,105,122	238059	1
	Coil, magneto (Replaced by 47 145 01) 74	232748	1
	Coil, magneto 139,153,510	47 145 02	1
D	Screw 50,55,58,62,63,64,65,66,68,75,76,78,82,93,105,122,510	234423	1

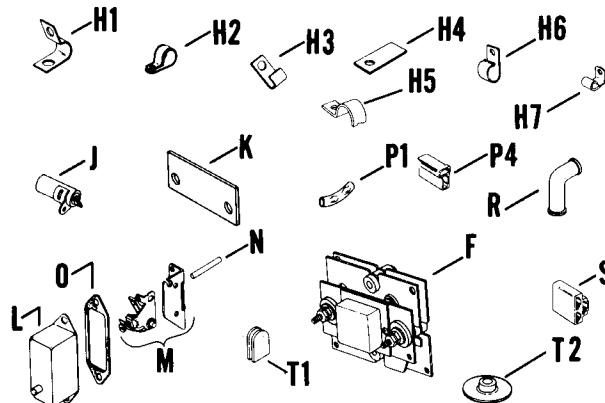
### 18 IGNITION



### BREAKER IGNITION

INDEX LTR.	DESCRIPTION VARIATION NUMBER	PART NUMBER	QTY.
E1	Cable, hi-tension 24-1/2 1,2,3,4,5,8,15,16,20, 22,27,29,30,34,36,42	A-275664	1
	Kit, hi-tension 7,12,17,18,19,23,25,31,33, 35,41,45,46,49,51,53,60, 67,74,77,85,90,99,104,106, 107,109,111,112,113,114, 115,118,121,124,126,127, 129,130,131,134,135,137, 138,140,144,145,146,500, 501,503,504,505,506,507, 508,511	238057	1
	Cable, hi-tension (Replaced by 238057) 32,502	A-232542	1
	Cable, hi-tension 130	47 348 03	1
E2	Cable, hi-tension 50,55,58,62,63,64,65,66, 68,75,76,78,82,93,105,122, 153,510	234424	1
F	Regulator 49	277064	1
G1	Bracket, coil mounting 7,12,23,35,41	235563	1
G2	Bracket, coil mounting 23,74	231879	1
G3	Bracket, coil mounting 46	235888	1
G4	Bracket, coil mounting 85,99	237253	1
	126	47 217 07	1

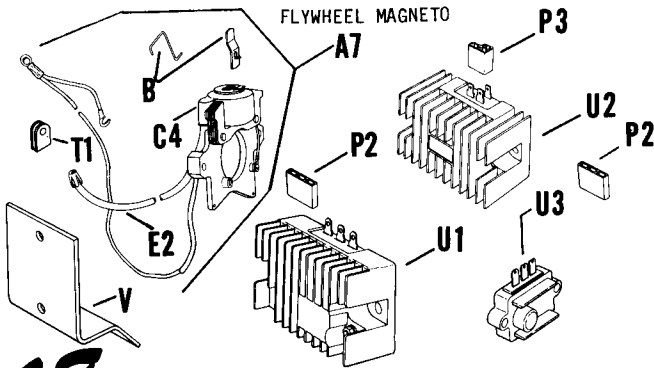
INDEX LTR.	DESCRIPTION VARIATION NUMBER	PART NUMBER	QTY.
H1	Clip, cable 1/2 wide 1,2,3,4,5,7,8,12,15,16,20, 22,23,27,29,30,32,34,35, 36,41,42,46,50,55,58,62, 63,64,65,66,68,74,76,78, 82,90,105,122,132,133, 136,139,153,502,510	275183	1
	Clip 7/16 wide 50,55,58,63,64,65,66,78, 82,85,90,93,99,104,105, 106,111,112,113,114,115, 121,122,124,126,127,131, 133,134,135,136,137,138, 140,144,145,146,503,504, 505,506,507,508,510,511	X-728-1	1
H2	Clip 1,2,3,4,5,8,15,16,20, 22,27,29,30,34,36,42	X-339-4	1
H3	Clip 1,2,3,4,7,15,16,17,18, 20,22,23,25,27,29,30,31, 32,33,34,35,36,41,42,45, 46,50,51,53,55,58,60,62, 64,65,66,67,68,74,75,76, 77,78,82,90,93,104,105, 106,107,109,111,112,113, 114,115,118,121,126,127, 129,130,131,133,135,501, 502,503,504,505,506,507, 508	275182	1
	5,8,12,19,122,124,132,134, 136,137,138,139,140,144, 145,146,153,500,510,511	275303	1
H4	Clip 62,68	232510	1
H5	Clip 7/8 (plastic coated) 62,68,75,76	236450	1
	Clip 1/2 (plastic coated) 32,132,139,153	234531	1
H6	Clip 85,99,115	234511	1
	Clip (plastic coated) 124,126,131,135,145,146	47 154 01	1
	140	48 154 02	1



### BREAKER IGNITION

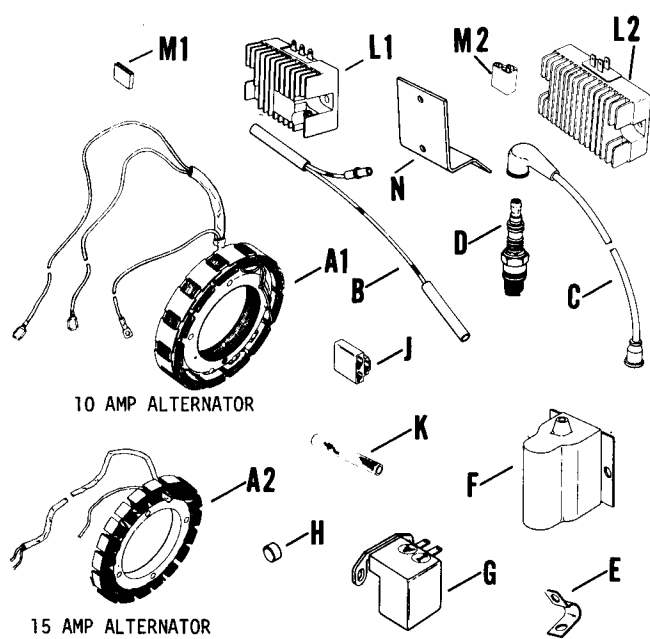
IGNITION

INDEX LTR.	DESCRIPTION VARIATION NUMBER	PART NUMBER	QTY.	INDEX LTR.	DESCRIPTION VARIATION NUMBER	PART NUMBER	QTY.
H7	Clip, cable 109	237601	1	P2	Connector (Use with 234279 or 41 403 05 rectifier) 62,75,76,83,84,94,97,124, 126,131,135,138,145,146, 505,508,509,511,512	236602	1
J	Condenser (See Crankcase--Index Letter K1) Stator part	220434	1	P3	Connector (Use with 237335 rectifier) 90,104,111,114,115,121, 127,129,503,504,506,507	237429	1
	Condenser 7,12,17,18,23,25,31,33, 35,41,45,46,49,51,53,60, 67,74,77,90,104,106,107, 109,111,112,113,114,115, 118,121,124,126,127,129, 130,131,135,137,138,140, 144,145,146,500,501,502, 503,504,505,506,507,508, 511	230722	1	P4	Connector 113,124,126,131,134,135, 145,146	48 155 02	1
	Condenser (Replaced by 47 147 01) 50,55,58,62,63,64,65,66, 68,75,76,78,82,85,93,99, 105,122,132,133,136,139,153	235786	1	Q	Plug, spark 1,2,3,4,5,7,12,17,18, 19,20,22,23,25,27,29, 30,32,33,36,41,42,46, 49,50,55,58,60,62,63, 66,68,74,75,76,77,82, 85,90,104,105,111,112, 114,115,118,121,127,130, 131,134,140,500,502,505, 506,507	235040-S	1
	Condenser 153,510	47 147 01	1		8,15,16,31,34,35,45,64, 65,78,93,99,106,109,113, 122,124,126,129,132,135, 136,137,138,139,144,145, 146,153,503,504,508,511	235041-S	1
	Condenser w/lead 42	A-235648	1		51	235710-S	1
K	Backplate, coil 67,124,131,135,146	234323	1		53,107,501	235976-S	1
L	Cover, breaker ALL (Except 80,83,84,86, 94,97,100,103,108,110)	A-220136	1		67	41 132 02	1
M	<b>Breaker</b> (Replaced by 47 150 03) (When installing 47 150 03 breaker, on engines below serial number 13007371, always install new push rod 47 411 04.) ALL (except 80,83,84,86, 94,97,100,103,108,110)	47 150 01	1	R	Boot, spark plug 50,55,58,62,63,64,65, 66,68,75,76,78,82,93, 105,122,132,133,136,139, 153,510	220791	1
N	Rod, breaker ALL (Except 80,83,84,86, 94,97,100,103,108,110)	47 411 04	1	S	Block, terminal 75,76,140,144	236473	1
O	Gasket, cover (Replaced by 52 041 11) ALL (Except 80,83,84,86, 94,97,100,103,108,110,510, 511)	220174	1		85,99	237088	1
	Gasket, cover 510,511	52 041 11	1	T1	Grommet ALL	220297	1
P1	Connector 42	X-367-1	1	T2	Grommet, spark plug 124,126,131,135,146	47 313 01	1
				U1	Rectifier - regulator (10 amp) 62,75,76,83,84,94	234279	1
				U2	Rectifier - regulator (15 amp) 90,104,111,114,115,121, 127,129,503,504,506,507	237335	1
				U3	Rectifier - regulator (15 amp) 124,126,131,135,138,145, 146,505,508,509,511,512	41 403 05	1
				V	Bracket, rectifier 76,83,104,121,127,138,504, 506	47 126 01	1
				W	Screw, R.H. 10-24x3/4 511	X-778-1	4
					NOT ILLUSTRATED Lead (7"-14 gauge-locking tang female 1/4)	47 518 13	
					511		



18 IGNITION

INDEX LTR.	DESCRIPTION VARIATION NUMBER	PART NUMBER	QTY.	INDEX LTR.	DESCRIPTION VARIATION NUMBER	PART NUMBER	QTY.
A1	Kit, stator 80,83,84,86,94,97	237877	1	H	Plug, cap 80,83,84,86,94,97,100, 103,108,110	X-702-1	1
A2	Stator 100	237879	1	J	Block, terminal 84,100,140	236473	1
	Stator (Replaced by 237879 kit) 103,108,110	237269	1	K	Sleeving 80,83,84,86,94,97,100, 103,110	X-715-3	1
B	Lead, trigger 80,86,103,108	236814	1	L1	Rectifier - regulator (10 amp) 83,84,94,97	234279	1
	83,94,97	237125	1	L2	Rectifier - regulator (15 amp) 108	237335	1
	110	237105	1	M1	Connector 83,84,94,97	236602	1
	Lead, trigger (Replaced by 238060 kit) 84,100	237266	1	M2	Connector 108	237429	1
C	Kit, hi-tension 80,83,84,86,94,97,100,103, 108,110	238057	1	N	Bracket, rectifier 83	47 126 01	1
D	Plug, spark 80,83,84,86,94,97,100, 103,108,110	235040-S	1	<b>INSTRUMENT PANEL 19</b>			
E	Clip 7/16 wide 80,83,84,86,94,97,100, 103,108,110	X-728-1	1	INDEX LTR.	DESCRIPTION VARIATION NUMBER	PART NUMBER	QTY.
	Clip 1/2 wide 110	275183	1				
F	Coil, ignition 80,83,84,86,94,97,100, 103,108,110	236826	1				
G	Trigger 80,83,84,86,94,97,100, 103,108,110	A-237339	1				

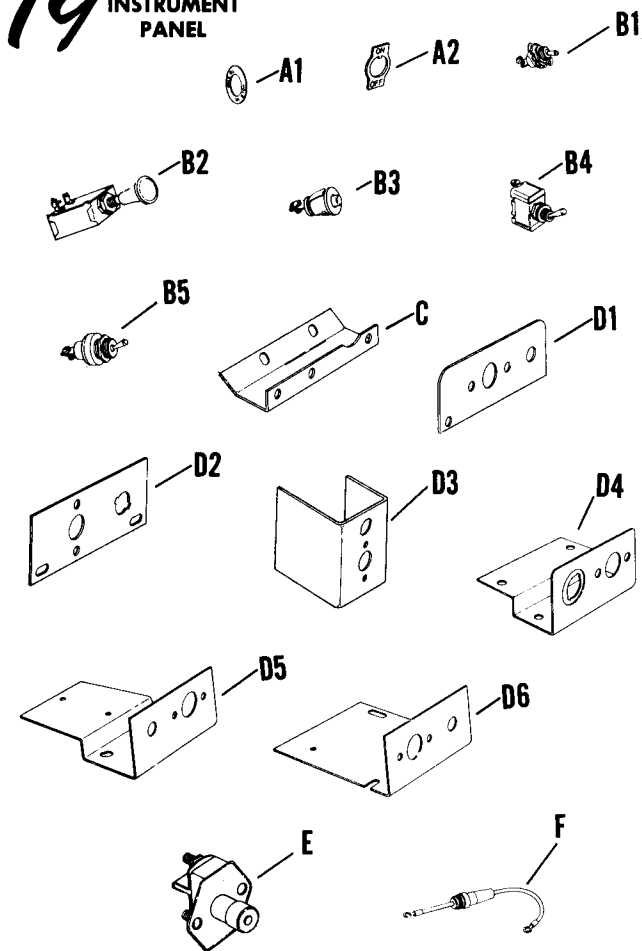


**18** IGNITION      **BREAKERLESS IGNITION**

Use stock of original part number before ordering replacement.							
A1	Plate, switch instruction 2,7,9,11,353	223073	1				
	13,14,16,17,19	236654	1				
A2	Plate, switch instruction 20,23,24,26,27,29,351	220725	1				
	350	151508	1				
B1	Kit, ignition switch (Includes 220725 instruction plate) 1,3,8,352	223072-S	1				
B2	Switch, ignition 2,7,9,11,353	275713	1				
B3	Switch, ignition 13,14,16,17,19	236435	1				
B4	Switch, ignition 20,23,24,26,27,29	238011	1				
B5	Switch, ignition 350,351	234690	1				
C	Bracket, panel 13,14,20,26	237386	1				
	29,32	47 126 16	1				
D1	Panel, switch 1,2,8,9,352	235720	1				

**19 INSTRUMENT PANEL**

**OIL PAN 21**

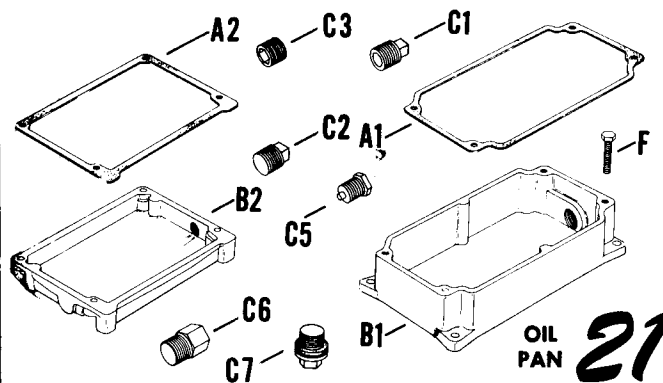


INDEX LTR.	DESCRIPTION VARIATION NUMBER	PART NUMBER	QTY.
D2	Panel, switch 13,14	236595	1
	20,26,29	237594	1
D3	Panel, switch (Discontinued--Not Available) 16,19	236579	1
D4	Panel, switch 17	237009	1
D5	Panel, switch 23	237596	1
D6	Panel, switch 24,27	237595	1
E	Switch, starter 1,2,3,7,8,9,11,13,14,16, 17,19,20,23,24,26,27,29, 352,353	230442	1
F	Holder, fuse 29	41 323 02	1

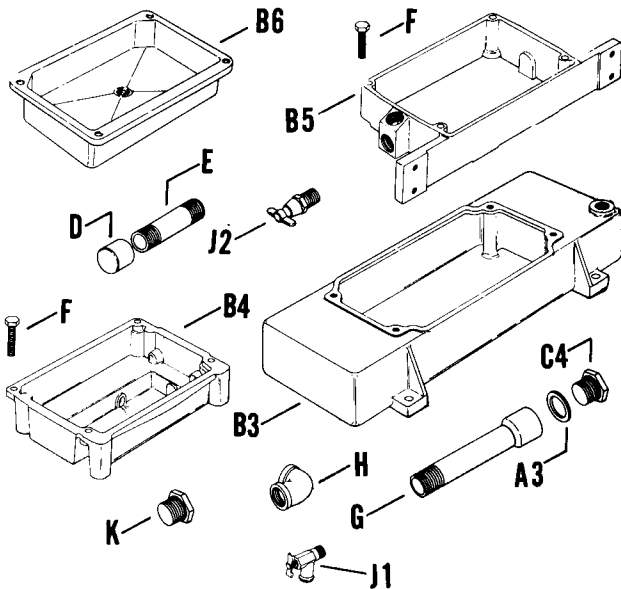
INDEX LTR.	DESCRIPTION VARIATION NUMBER	PART NUMBER	QTY.
------------	------------------------------	-------------	------

Use stock of original part number before ordering replacement.

A1	Gasket, pan 1,2,3,4,5,6,7,9,13,14,15, 17,20,25,35,36,38,43,46,54	235057	1
A2	Gasket, pan 11,12,19,21,23,27,28, 34,37,39,40,41,42,45, 47,48,51	235353	1
	52	47 041 07	1
A3	Gasket, drain plug 13	241063	1
B1	Pan, oil (Side drain) 1,2,3,4,5,6,7,13,14, 35,36,43,46	235115	1
	20	235338	1
	25,38	237763	1
	Pan, oil (Rear drain) 9	235305	1
	Pan, oil (Bottom drain) 15	235147	1
	Pan, oil (Side drains) 54	47 199 10	1
B2	Pan, oil (Drain on carburetor side) 11,19	236265	1
	Pan, oil (Bottom drain) (Replaced by 237588) 12,34	235352	1
	Pan, oil (Bottom drain) 41,47	237588	1
	Pan, oil (Side drain) (Discontinued--Not Available) 21	236207	1
	Pan, oil (Side drain) 23	235709	1
	Pan, oil (Rear drain) 27	235990	1
B3	Pan, oil (Side drain) 17	235328	1



**OIL PAN 21**



INDEX LTR.	DESCRIPTION VARIATION NUMBER	PART NUMBER	QTY.
B4	Pan, oil (Bottom drain) 28	47 199 01	1
	51	47 199 08	1
	Pan, oil (Side drain) (Replaced by 47 199 02)	237808	1
	45		
	Pan, oil (Side drain)		
	48	47 199 04	1
B5	Pan, oil (Side drain) 39,40	237462	1
B6	Pan, oil (Bottom drain) 52	47 199 07	1
C1	Plug, drain 3/4 sq. hd. (Replaced by X-75-6) 1,2,4,7,9,20,40,46	X-75-24	1
C2	Plug, drain 3/4 sq. hd. 1,36	X-75-6	1
	Plug, drain 3/8 sq. hd. 12,15,19,21,23,25,27, 37,38,47,52	X-75-10	1
	Plug, drain 1/8 sq. hd. 17	X-75-1	2
	Plug, drain 1/4 sq. hd. 28,45,48,51	X-75-2	1
C3	Plug, drain 3/8 hex. ctsk. hd. 11	X-75-32	1
	Plug, drain 3/4 hex. ctsk. 14	X-75-31	1

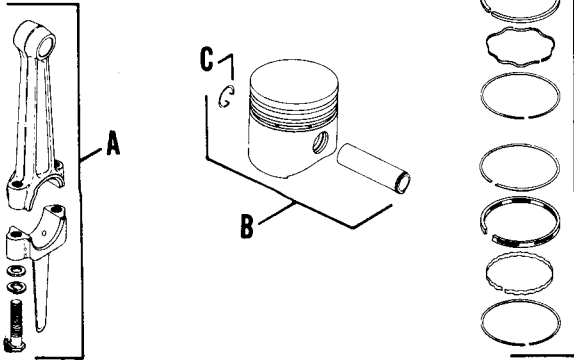
INDEX LTR.	DESCRIPTION VARIATION NUMBER	PART NUMBER	QTY.
C4	Plug, pipe 9/16 hex. hd. 13	241062	1
C5	Plug, magnetic drain 3/8 17	X-305-4	1
C6	Plug, drain 3/8 34	234661	1
C7	Plug, drain (Replaced by X-708-2) 41	X-708-1	1
D	Cap, pipe 3/4 3,5,6,33,35	X-268-1	1
E	Pipe 3/4 x 2-3/16 3,5,33,35	X-206-10	1
	Pipe 3/4 x 8 (Discontinued--Not Available) 6	X-206-17	1
	Pipe 3/4 x 2-1/2 36,40,43	X-206-4	1
F	Screw, hex. hd. 3/8 - 16 x 1-3/4 2,7,14	270721	2
	Screw, hex. hd. 3/8 - 16 x 1-1/2 4,5,7,35,46	270158	2
	28	270158	4
G	Tube, oil drain 13	241065	1
H	Elbow 3/4 36,40,43	X-215-2	1
J1	Valve 39	238123	1
J2	Valve 40,43	X-256-1	1
K	Bushing, reducer 3/4 39,40,43	X-202-23	1

**PISTON  
AND  
ROD** **22**

INDEX LTR.	DESCRIPTION VARIATION NUMBER	PART NUMBER	QTY.
Use stock of original part number before ordering replacement.			
A	Rod, connecting (Replaced by 47 067 03) 1,2,6	A-235139	1
	Rod, connecting-.010 U.S. (Replaced by 47 067 04)	A-235139-10	
	Rod, connecting (Replaced by 47 067 01) 3,5	A-235383	1
	Rod, connecting-.010 U.S. (Replaced by 47 067 02)	A-235383-10	

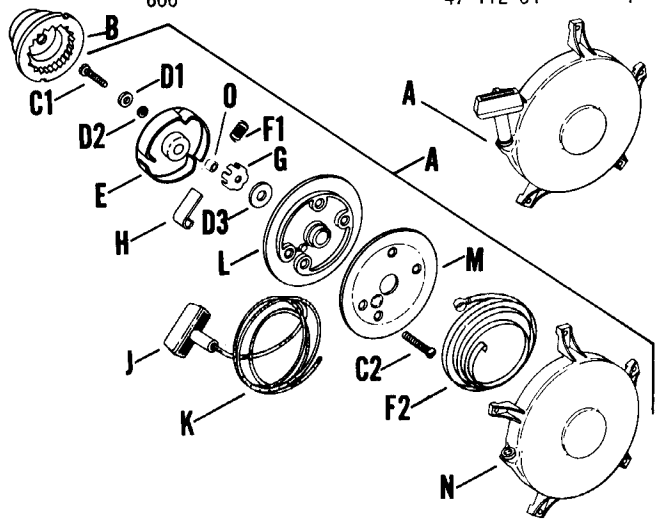


**22** PISTON AND ROD



INDEX LTR.	DESCRIPTION VARIATION NUMBER	PART NUMBER	QTY.
B	Piston - assembly--Std. (Includes pin & retainers) ALL	47 074 11	1
	Piston - assembly---.003 (Includes pin & retainers)	47 074 12	
	Piston - assembly---.010 (Includes pin & retainers)	47 074 13	
	Piston - assembly---.020 (Includes pin & retainers)	47 074 14	
	Piston - assembly---.030 (Includes pin & retainers)	47 074 15	
C	Retainer, pin (Replaced by 47 018 01) ALL	235004	2
D	Ring set--Std. & .003 ALL	235287	1
	Ring set--.010	235288	
	Ring set--.020	235289	
	Ring set--.030	235290	

INDEX LTR.	DESCRIPTION VARIATION NUMBER	PART NUMBER	QTY.
C1	Screw, hex. hd. #10 - 32 x 5/8 1,2,3,600	231691	1
C2	Screw 1,2,3,600	231683	4
D1	Washer 1,2,3,600	231690	1
D2	Washer 1,2,3,600	231693	1
D3	Washer, thrust 1,2,3,600	231692	1
E	Retainer 1,2,3,600	231699	1
F1	Spring, retainer 1,2,3,600	232525	1
F2	Spring, recoil 1,2,3,600	231705	1
G	Brake 1,2,3,600	231689	1
H	Dogs 1,2,3,600	231695	3
J	Handle 1,2,3,600	234452	1
K	Rope #6 - 66" 1,2,3,600	231686	1
L	Pulley 1,2,3,600	231697	1
M	Sheave 1,2,3,600	231685	1
N	Housing 1	235754	1
	2,3,600	235696	1
O	Spacer, nylon 600	47 112 04	1



**23** RETRACTABLE STARTER

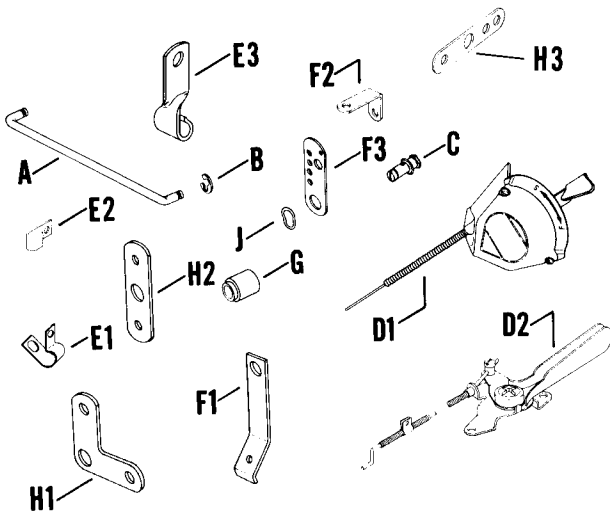
INDEX LTR.	DESCRIPTION VARIATION NUMBER	PART NUMBER	QTY.
A	Starter, recoil - assem. (Includes C1 thru N) 1	A-235691	1
	2	A-235943	1
	600	47 165 01	1
	Starter, recoil - assem. (Includes C1 thru N) Includes A-235943 starter & 237377 screen) 3	47 755 03	1
B	Cup 1	231700	1
	2,3,600	235685	1

RETRACTABLE STARTER **23**

# 24.31

## K 241

### 24 REMOTE THROTTLE



INDEX LTR.	DESCRIPTION VARIATION NUMBER	PART NUMBER	QTY.
F3	Bracket, speed control 10,16,20,22	235086	1
G	Spacer 8,16,22	235085	1
	10,20	235085	2
	11,22	235626	1
H1	Bellcrank 8	235316	1
H2	Bellcrank 10,11,22	235550	1
	20	236752	1
H3	Bellcrank 16	47 257 01	1
J	Washer, tension 8,11,16	275690	1
	10,20,22	275690	2

INDEX LTR.	DESCRIPTION VARIATION NUMBER	PART NUMBER	QTY.
A	Rod, throttle 8,10,11,22	235317	1
	16,20	235756	1
B	Retainer, ring 8,10,11,16,20,22	235278	2
C	Clamp, swivel wire (Replaced by 48 237 01) 2,3,8,10,11,20,22	231052	1
	Clamp, swivel wire 16	48 237 01	1
D1	Control, throttle 5-5/8 1	235160	1
D2	Lever, throttle (72" cable) 2	225011-6	1
	Lever, throttle (40" cable) (See chart) 3	225011-7	1
E1	Clip, cable 2,3,4,8,701	275329	1
	15,700	210149	1
E2	Clip, cable 9	231285	1
	19,23	231285	2
E3	Clip, cable 9	235454	1
F1	Bracket, throttle cable 9,12,19	235180	1
F2	Bracket, adjusting screw 10,16,20,22	235084	1

#### THROTTLE LEVERS

To simplify stock requirements, throttle levers are furnished only in certain wire lengths. The following applies to the K241.

225011-7: Use to replace levers with 12" to 40" long wires.

When using this lever, the wire and casing must be cut to match the length of the unit it replaces. Instructions will be packaged with this replacement lever.

**HIGH TEMPERATURE CUTOUT 31**



INDEX LTR.	DESCRIPTION VARIATION NUMBER	PART NUMBER	QTY.
A	Cutout, hi-temperature 2	230989	1

GRID E4

# ACCESSORIES

Spec No.	Description	Part No.	Spec No.	Description	Part No.	Spec No.	Description	Part No.
4629	Kit, ignition sw. Switch, starter Panel, switch	223072-S 230442 235720	46211	Rod, ball joint Retainer, rod	235277 235278		Gasket Cable, ignition Clip Nut, wing	275341 A-232542 275183 X-276-7
4642	Tank, fuel - assem. Elbow, compression	A-275263 220146	46213	Nut, wing Gasket, cleaner Clamp, swivel wire Element, cleaner Base, cleaner Guard, belt Muffler	X-276-7 AC-1787 231052 235116 235123 235554 275679	46325	Solenoid, starting	A-243823
4653	Regulator, voltage Pulley	235238 275669	46215	Muffler	275679	46330	Regulator, primary	A-220579
4666	Regulator, voltage	270952	46216	Filter, fuel	A-210101	46333	Muffler	275679
4667	Regulator, voltage	270952	46219	Muffler	275679	46341	Pulley Guard, belt Clip (2)	235260 235529 235603
4691	Webbing (2) Valve, fuel Bracket Tank Strap (2) Line, fuel	X-295-20 220764 236934 235164 237639 X-386-22	46227	Nipple Pulley, generator Muffler Clip, cable	X-218-22 235260 275679 275329	46352	Gasket, exhaust Pulley, generator	235122 235260
46107	Regulator, voltage	235238	46250	Solenoid, starter	243823	46355	Pulley, generator Muffler	235260 275679
46109	Pulley, generator	236260	46254	Regulator, voltage	270952	46363	Tank, fuel	236684
46111	Regulator, voltage Clamp, swivel wire Motor, gen.-assem. Pulley	270952 231053 B-275847 235280	46264	Condenser Guard, belt	230722 235719	46379	Pulley	235751
46118	Regulator, voltage	A-235323	46265	Pulley, generator	235260	46397	Pulley Guard, belt Clip (2)	235260 235529 235603
46122	Guard, belt Clamp, swivel wire	235719 231052	46287	Filter, fuel	A-210101	46405	Condenser Coil, ignition Muffler Starter, generator Pulley, generator	230722 231281 275679 B-275847 235260
46126	Regulator, primary Pulley Regulator, voltage Motor, gen.-assem.	A-220579 235260 270952 B-275847	46292	Regulator, voltage	270952	46416	Regulator Connector	237335 237429
46135	Muffler	275679	46295	Line, fuel Connector Nut, lock Filter, fuel Muffler	X-386-20 X-495-1 AC-1536 A-210101 275679	46422	Pulley Guard, belt Clip	235260 235529 235603
46148	Filter, fuel Clamp, swivel wire Pulley, generator	A-210101 231052 235260	46306	Guard, belt Regulator, voltage	235704 270952	46427	Clip	210149
46149	Filter, fuel Rope	A-210101 A-230099	46311	Line, fuel Connector Nut, lock Filter, fuel Sleeve Nut Muffler	X-284-15 231509 AC-1536 A-210101 220547 220786 275679	46428	Rod, ball joint Retainer, rod	235277 235278
46150	Clamp, swivel wire Guard, belt Muffler	231052 235719 275679	46315	Regulator, voltage	270952	46481	Nut Gasket Cleaner	X-276-7 AC-1787 151834
46161	Filter, fuel Regulator, voltage	A-210101 270952	46319	Nut Base Cover Element Pulley Gasket	X-276-7 235101 235102 235116 235751 275341	46484	Nut Base Cover Element Gasket	X-276-7 235101 235102 235116 275341
46163	Clamp, swivel wire	231052	46323	Muffler	275679	46512	Regulator	234279
46178	Regulator, voltage	270952	46324	Pulley, generator Clip Condenser Coil Cleaner, air Bracket, choke	235260 210149 230722 231281 A-235100 235374	46513	Regulator	234279
46190	Line, fuel Nut, lock Filter, fuel Sleeve Nut Connector Muffler	X-294-15 AC-1536 A-210101 220547 220786 231509 275679				46515	Plate Switch Regulator, voltage Switch	223073 230442 270952 275713
46203	Guard, belt Condenser	235719 230722				46518	Regulator Gasket	234279 235122

ACCESSORIES-CONTINUED

Spec No.	Description	Part No.	Spec No.	Description	Part No.	Spec No.	Description	Part No.
46519	Condenser Guard, belt	230722 235719	46586	Muffler	275679	46696	Spacer (2) Gasket, oil pan Gasket, exhaust	X-400-71 235353 235122
46520	Regulator Clip (2)	234279 235603	46587	Tank, fuel	236684	46699	Nut Gasket Base Regulator Element Cover Stud	X-276-7 AC-1787 235123 237335 277138 277142 280151
46520E	Regulator Clip (2)	234279 235603	46617	Gasket	235122	46709	Nut Gasket Base Element Cover Stud	X-276-7 AC-1787 235123 277138 277142 280151
46523	Pulley Guard, belt Clip (2)	235260 235529 235603	46627	Bracket, belt guard Guard, belt Gasket, oil pan Spacer (2)	235066 235719 235353 X-400-71	46716	Rod Retainer	235277 235278
46527	Pulley Guard, belt Clip (2)	235260 235529 235603	46650	Rod, ball joint Retainer, rod	235277 235278	46726	Spacer (2) Gasket, exhaust	X-400-71 235122
46537	Pulley Guard, belt Clip (2)	235260 235529 235603	46651	Line, fuel Nut Filter, fuel Sleeve Nut Connector Muffler	X-294-5 AC-1536 A-210101 220547 220786 231509 275679	46817	Line, fuel Tank, fuel	X-811-1 235164
46538	Pulley Guard, belt Clip (2)	235260 235529 235603	46652	Nipple Muffler	X-218-23 275679	46819	Spacer (2) Line, fuel Tank, fuel Valve, shut off	X-400-89 X-811-1 235164 47 462 01
46545	Regulator Condenser Coil Kit, hi-tension lead Gasket	277064 230722 231281 238057 235122	46659	Spacer (2) Gasket, oil pan	X-400-71 235353	46820	Muffler	275679
46552	Muffler	275679	46670	Gasket Tank Strap, tank (2) Bracket, tank	235122 235935 A-236942 237898	46826	Rope Rod Retainer	A-230099 235277 235278
46560	Guard, belt Condenser	235719 230722	46674	Spacer (2) Gasket, oil pan	X-400-71 235353	46827	Rod Retainer	235277 235278
46565	Filter, fuel	A-210101	46677	Muffler	275679	46830	Muffler	275679
46469	Pulley, generator	235260	46691	Nut Base Cover Element Gasket	X-276-7 235101 235102 235116 275341	46832	Holder, fuse assembly Relay Switch Switch, throttle	41 323 02 48 404 02 270232 238011
46580	Gasket	235122						
46582	Condenser Guard, belt	230722 235719						
46585	Gasket, exhaust Tank Bracket, tank Strap, tank (2)	235122 235935 237898 A-236942						

**GASKET SET - 47 755 08  
(WITH SEALS)**

**GASKET SET - 47 004 01  
(WITHOUT SEALS)**

<u>Part No.</u>	<u>Description</u>
47 032 06	Seal, front oil
47 032 07	Seal, rear oil
52 041 11	Gasket, breaker cover
231032	Seal, breather
235025	Gasket, camshaft cover
235048	Gasket, breather plate
235057	Gasket, oil pan
235070	Gasket, bearing plate
235122	Gasket, exhaust
47 041 07	Gasket, oil pan
235757	Gasket, bearing plate
237064	Gasket, oil fill tube
237658	Gasket, cylinder head
271030	Gasket, carburetor
275144	Gasket, valve cover
275341	Gasket, air horn
47 041 04	Gasket, fuel pump
47 041 02	Gasket
47 049 01	Gasket

<u>Part No.</u>	<u>Description</u>
52 041 11	Gasket, breaker cover
231032	Seal, breather
235025	Gasket, camshaft cover
235048	Gasket, valve cover
235057	Gasket, oil pan
235070	Gasket, bearing plate
235122	Gasket, exhaust
47 041 07	Gasket, oil pan
235757	Gasket, bearing plate
237064	Gasket, oil fill tube
237658	Gasket, cylinder head
271030	Gasket, carburetor
275144	Gasket, valve cover
275341	Gasket, air horn
47 041 04	Gasket, fuel pump
47 041 02	Gasket
47 049 01	Gasket, carburetor

# **KOHLER** engines

ENGINE DIVISION, KOHLER CO., KOHLER, WISCONSIN 53044



## SELECTION GUIDE

- REPLACEMENT ENGINES
- SERVICE ENGINES
- SHORT BLOCKS
- MINIBLOCKS

---

### MODEL K241 10hp

Engine Specs 4600-46867

Generator Specs 5100A-51291E

There are several different methods of repowering K241 engines to consider—with the choice depending on your shop facilities, repair costs and allowable downtime of the engine.

1. **Engine Replacement:** Replacement Engine or Service Engine. (When using a Service Engine, certain items will have to be transferred from the original engine or modifications may be required to fit the engine to the application.)
2. **Short Block Replacement:** When engine including the crankshaft is extensively damaged or worn internally. Refer to page 12 for Short Block components.
3. **Miniblock Replacement:** When bore, piston, and connecting rod are damaged but crankshaft and all other parts are in good condition. Refer to page 12 for Miniblock components.
4. **Complete Overhaul:** Rebore cylinders and regrind crankshaft, using appropriate oversize and/or undersize replacement parts.

This Selection Guide provides an easy reference for determining the part number of the Replacement Engine, Service Engine, Short Block or Miniblock for the repower method selected. It also lists the part number of the crankshaft installed in the original engine.

# K241

Locate the engine specification number in the index below. Select the part number of the repower method listed in the adjacent columns. Refer to pages 13-16 for Service Engine data.

## ENGINE SPECIFICATIONS

Engine Spec. No.	Sugg. Service/Replac. Engine	Engine Modifica.	Required Crank-shaft Change	Original Engine Crankshaft No.	Replac. Short Block	Replac. Miniblock	Engine Spec. No.	Sugg. Service/Replac. Engine	Engine Modifica.	Required Crank-shaft Change	Original Engine Crankshaft No.	Replac. Short Block	Replac. Miniblock
4600	47176	C,L	—	A-235395	—	B-237698	4660	—	—	—	A-235405	—	C-237416
4601	47176	C	—	A-235395	—	B-237698	4661	47176	L,O	—	A-235395	—	B-237415
4602	47176	C,L,O,P	—	A-235395	—	B-237698	4662	47176	—	—	A-235395	—	B-237415
4603	47184	—	—	A-235387	—	C-237667	4663	47176	O,P	—	A-235395	—	B-237415
4604	47176	C,L	—	A-235395	—	B-237698	4664	47186	C,O	—	A-235393	—	C-237667
4605	47176	O,P	—	A-235395	—	C-237667	4665	47176	C,L,O,P	—	A-235395	—	B-237698
4606	47176	L,O,P	—	A-235395	—	B-237698	4666	47183	D,L,O,P	—	A-235396	—	C-237667
4607	47184	J	—	A-235387	—	C-237667	4667	47183	D,O,P	—	A-235396	—	C-237667
4608	—	—	—	A-235393	—	B-237415	4668	—	—	—	A-235395	—	C-237667
4609	47176	J,L	—	A-235395	—	B-237698	4669	47176	—	—	A-235395	—	B-237415
4610	47176	C,L	—	A-235395	—	B-237415	4670	47176	L,O,P	—	A-235395	—	B-237415
4611	47184	—	—	A-235387	—	C-237667	4671	47176	D,Q	—	A-235395	—	B-237816
4612	47187	L,O,P	—	A-235394	—	B-237698	4672	47176	C,L,Q	—	A-235395	—	B-237698
4613	—	—	—	A-235395	—	B-237698	4673	47176	C,L,O,P,Q	—	A-235395	—	B-237698
4614	47187	D,L	—	A-235396	—	C-237667	4674	47183	C,K,L,Q	—	A-235397	—	C-237667
4615	47187	D,L,O,P	—	A-235396	—	C-237667	4675	47176	L	—	A-235395	—	B-237415
4616	47176	C,L,Q	—	A-235395	—	B-237698	4676	—	—	—	A-235395	—	B-237698
4617	47176	S	—	A-235395	—	B-237415	4677	47176	L,O,P	—	A-235395	—	B-237415
4618	47176	L,O,P	—	A-235395	—	B-237698	4678	47183	C,K,L,S	—	A-235397	—	C-237667
4619	47187	L	—	A-235394	—	B-237415	4679	—	—	—	A-235407	—	B-237415
4620	47183	K,L,O,P	—	A-235397	—	C-237667	4680	—	—	—	A-235389	—	C-237667
4621	47176	L,O,P,Q	—	A-235395	—	B-237415	4681	47176	O	—	A-235395	—	B-237415
4622	47187	O	—	A-235394	—	B-237415	4682	—	—	—	A-235408	—	B-237415
4623	47183	D	—	A-235396	—	C-237667	4683	47184	L	—	A-235387	—	C-237667
4624	47183	D,O,P	—	A-235396	—	C-237667	4684	—	—	—	A-235285	—	C-237667
4625	47176	C,L,O,P	—	A-235395	—	B-237698	4685	47176	C	—	A-235395	—	B-237667
4626	47184	D,J	—	A-235387	—	B-237345	4686	47176	L,O,P	—	A-235395	—	B-237415
4627	47186	C,L,O,P	—	A-235395	—	C-237667	4687	47187	L	—	A-235394	—	B-237415
4628	47186	C,L,O,P,Q	—	A-235395	—	C-237667	4688	47176	O,P	—	A-235395	—	B-237698
4629	47186	D,L,O	—	A-235395	—	C-237667	4689	—	—	—	A-235246	—	—
4630	47176	L,O,P	—	—	—	B-237698	4690	47187	C,O,P	—	A-235394	—	B-237698
4631	—	—	—	—	—	B-237698	4691	47186	D,O	—	A-235395	—	C-237667
4632	47187	C,L	—	A-235396	—	B-237698	4692	—	—	—	A-235395	—	C-237667
4633	47176	L,O,P,Q	—	A-235395	—	B-237698	4693	—	—	—	A-235395	—	B-237698
4634	—	—	—	A-235389	—	C-237667	4694	47184	J,S	—	A-235387	—	C-237667
4635	47187	—	—	A-235394	—	B-237415	4695	47176	C,L	—	A-235395	—	B-237698
4636	47184	S	—	A-235387	—	C-237667	4696	47176	L,O,P,Q	—	A-235395	—	B-237698
4637	47176	O,P	—	A-235395	—	B-237698	4697	47186	C,O,P,S	—	A-235395	—	C-237667
4638	47183	D,K,L	—	A-235397	—	C-237667	4698	47184	J,S	—	A-235387	—	C-237667
4639	47184	S	—	A-235387	—	C-237667	4699	47183	K,L,O,P	—	A-235397	—	C-237667
4640	47176	L,O,P	—	A-235395	—	B-237698	46100	47186	C,L,P	—	A-235395	—	C-237667
4641	47184	J	—	A-235387	—	C-237667	46101	47176	L,O,P,Q	—	A-235395	—	B-237415
4642	47176	D,O,P,Q	—	A-235395	—	B-237816	46102	—	—	—	A-235395	—	B-237698
4643	47176	—	—	A-235395	—	B-237698	46103	47184	J,S	—	A-235387	—	C-237667
4644	47184	J	—	A-235387	—	C-237667	46104	47186	C,L,Q	—	A-235395	—	B-237698
4645	47176	C,L,O,P	—	A-235395	—	B-237698	46105	47176	D,O,P,Q	—	B-235662	—	B-237816
4646	47176	L	—	—	—	B-237698	46106	47176	C,L,O,P,Q	—	A-235395	—	B-237698
4647	47176	L,O,P	—	—	—	B-237698	46107	47176	C,O,P,Q	—	A-235395	—	B-237698
4648	47184	S	—	A-235387	—	C-237667	46108	47183	D,K,L,O,P	—	A-235397	—	B-237667
4649	47176	L,O,P	—	A-235395	—	B-237415	46109	47187	C,O	—	A-235394	—	B-237698
4650	—	—	—	A-235395	—	B-237698	46110	47184	L	—	A-235387	—	C-237667
4651	47184	J,S	—	A-235387	—	C-237667	46111	47187	D	—	A-235076	—	C-237667
4652	47176	—	—	A-235395	—	B-237415	46112	47176	L,O,P	—	A-235395	—	B-237415
4653	47176	C	—	A-235403	—	B-237698	46113	47176	O	—	A-235403	—	B-237667
4654	47184	D,J	—	A-235387	—	B-237345	46114	47183	C,O,P	—	A-235409	—	C-237667
4655	47176	O	—	A-235395	—	B-237415	46115	—	—	—	A-235395	—	B-237698
4656	47176	O,P	—	A-235395	—	B-237415	46116	—	—	—	A-235390	—	C-237667
4657	—	—	—	A-235404	—	B-237415	46117	47176	O	—	A-235395	—	B-237415
4658	47462	H,L,Q	—	—	—	B-237415	46118	47186	D,L,O,P,Q	—	A-235395	—	C-237667
4659	47186	O,P	—	A-235395	—	C-237667	46119	—	—	—	A-235387	—	B-237415

For complete engine replacement, refer to TP-2181-A, Replacement Engine Price List.

<sup>1</sup>Basic Engine



# ENGINE SPECIFICATIONS

# K241

Engine Spec. No.	Sugg. Service/ Replac. Engine	Engine Modifica.	Required Crank-shaft Change	Original Engine Crankshaft No.	Replac. Short Block	Replac. Miniblock	Engine Spec. No.	Sugg. Service/ Replac. Engine	Engine Modifica.	Required Crank-shaft Change	Original Engine Crankshaft No.	Replac. Short Block	Replac. Miniblock
46120	47176	O	—	A-235395	—	B-237415	46185	47176	L,O,P,Q	—	A-235395	—	B-237415
46121	47183	D,K,L,Q	—	A-235397	—	C-237667	46186	47176	L	—	A-235395	—	B-237415
46122	—	—	—	A-235395	—	C-237667	46187	—	—	—	A-235395	—	—
46123	—	—	—	235065	—	B-237415	46188	—	—	—	A-235395	—	B-237698
46124	47176	L	—	A-235395	—	B-237415	46189	—	—	—	A-235395	—	C-237667
46125	47176	L	—	A-235395	—	B-237415	46190	47176	C	—	A-235395	—	B-237415
46126	47187	D	—	A-235076	—	C-237667	46191	47176	L,O	—	A-235395	—	B-237415
46127	47176	L,Q	—	A-235395	—	B-237698	46192	47176	L,O,P,Q	—	A-235395	—	B-237415
46128	47183	C,K,L,O,Q	—	A-235397	—	C-237667	46193	47176	L	—	A-235395	—	B-237415
46129	47176	L,Q	—	A-235395	—	B-237415	46194	47176	L,O,P,Q	—	A-235395	—	B-237415
46130	—	—	—	A-235395	—	B-237698	46195	47176	C,L	—	A-235395	—	B-237415
46131	47187	C,O,P	—	A-235394	—	B-237698	46196	47183	D,K,L	—	A-235397	—	C-237667
46132	47176	L,Q	—	A-235395	—	B-237415	46197	47176	C,L,O,P	—	A-235395	—	B-237698
46133	—	—	—	A-235395	—	C-237667	46198	47187	L,O,P,Q	—	A-235409	—	B-237415
46134	—	—	—	A-235395	—	B-237698	46199	—	—	—	A-235559	—	B-237698
46135	47176	D,O,Q	—	A-235395	—	C-237667	46200	—	—	—	—	—	—
46136	47176	L,O,P	—	A-235395	—	B-237415	46201	47176	C,O	—	A-235395	—	B-237698
46137	47176	—	—	A-235395	—	B-237415	46202	47187	D	—	A-235409	—	C-237667
46138	—	—	—	A-235395	—	B-237415	46203	47186	D	—	A-235395	—	C-237667
46139	—	—	—	—	—	—	46204	47183	C,K,S	—	A-235397	—	C-237667
46140	47183	D,L	—	A-235396	—	C-237667	46205	—	—	—	A-235360	—	B-237698
46141	—	—	—	A-235410	—	B-237415	46206	46489	D,O	—	A-235360	—	B-237869
46142	—	—	—	—	—	—	46207	47176	L,O	—	—	—	B-237415
46143	—	—	—	A-235360	—	—	46208	—	—	—	A-235395	—	B-237698
46144	47186	C,L,O,P	—	A-235395	—	C-237667	46209	46489	D,M,O	—	A-235360	—	B-237869
46145	47184	D,J	—	A-235387	—	B-237345	46210	—	—	—	A-235395	—	B-237698
46146	47176	O	—	A-235395	—	B-237415	46211	—	—	—	A-235387	—	B-237415
46147	47186	C,O,P	—	A-235395	—	C-237667	46212	47462	C,H,L	—	A-235246	—	B-237415
46148	47187	C,O	—	A-235394	—	B-237415	46213	—	—	—	A-235408	—	C-237667
46149	47183	D	—	A-235396	—	C-237667	46214	—	—	—	A-235408	—	—
46150	—	—	—	A-235408	—	C-237667	46215	47176	D,O,Q	—	A-235395	—	C-237667
46151	47176	L	—	A-235395	—	B-237415	46216	47183	D	—	A-235396	—	C-237667
46152	—	—	—	A-235395	—	B-237698	46217	—	—	—	—	—	—
46153	47187	C	—	A-235394	—	C-237667	46218	47183	D,K,L,O,P	—	A-235397	—	C-237667
46154	47187	C	—	A-235394	—	C-237667	46219	46489	C,L,O	—	A-235360	C-235618	B-237869
46155	—	—	—	—	—	—	46220	47176	L	—	A-235406	—	B-237415
46156	47187	C	—	A-235394	—	C-237667	46221	—	—	—	A-235411	—	B-237415
46157	47187	D,O	—	A-235394	—	C-237667	46222	—	—	—	—	—	—
46158	—	—	—	—	—	B-237415	46223	47176	C,L,Q	—	A-235395	—	B-237698
46159	47187	C,Q	—	A-235396	—	C-237667	46224	—	—	—	A-235387	—	—
46160	47176	O,P	—	A-235395	—	B-237415	46225	—	—	—	A-235360	—	B-237569
46161	47183	D,O,P	—	A-235396	—	C-237667	46226	—	—	—	A-235360	C-235618	B-237869
46162	47187	L,O,P,Q	—	A-235394	—	B-237415	46227	46489	D,O	—	A-235360	C-235618	B-237869
46163	47176	C,L,O	—	A-235395	—	B-237698	46228	—	—	—	B-235613	47 522 44	B-237869
46164	—	—	—	A-235326	—	B-237345	46229	47176	L	—	A-235395	—	B-237415
46165	—	—	—	A-235360	—	C-237666	46230	47176	C,L	—	A-235395	—	B-237698
46166	47176	C,F	—	A-235395	—	B-237698	46231	47187	C,L	—	A-235394	—	B-237698
46167	47187	L,O,P	—	A-235394	—	B-237415	46232	47176	C	—	A-235412	—	B-237415
46168	47176	O,P	—	A-235395	—	B-237415	46233	47183	C,K,L,O,P,Q	—	A-235397	—	C-237667
46169	47176	L,O,P,Q	—	A-235395	—	B-237415	46234	—	—	—	A-235360	—	B-237869
46170	47176	—	—	A-235395	—	B-237415	46235	47183	C,K,S	—	A-235397	—	C-237667
46171	47462	C,H,L	—	A-235246	—	B-237415	46236	—	—	—	A-235331	—	B-237415
46172	—	—	—	A-235331	—	B-237415	46237	47176	C,O	—	A-235406	—	B-237816
46173	47176	L,O,P	—	A-235395	—	B-237415	46238	—	—	—	A-235405	—	B-237415
46174	—	—	—	—	—	—	46239	—	—	—	—	—	B-237869
46175	47176	C,L,Q	—	A-235395	—	B-237698	46240	47187	D	—	A-235409	—	C-237667
46176	47176	—	—	A-235395	—	B-237415	46241	47187	D,O,P	—	A-235409	—	C-237667
46177	47187	D	—	A-235394	—	C-237667	46242	47176	C,O,P,Q	—	A-235395	—	B-237698
46178	47187	D,O	—	A-235394	—	C-237667	46243	—	—	—	A-235360	—	C-237666
46179	46700	—	—	A-235360	47 522 44	C-237666	46244	47183	D,K,L,O,P,Q	—	A-235397	—	C-237667
46180	47176	L,O,P	—	A-235395	—	B-237698	46245	47176	L,O,P,Q	—	A-235395	—	B-237415
46181	—	—	—	A-235395	—	—	46246	47176	C,L,O,P	—	A-235395	—	B-237415
46182	—	—	—	A-235411	—	B-237415	46247	47176	C,L	—	A-235395	—	B-237698
46183	—	—	—	A-235411	—	B-237415	46248	—	—	—	A-235360	—	B-237568
46184	47176	O,P,S	—	A-235395	—	B-237415	46249	47176	C,L	—	A-235395	—	B-237698

Basic Engine

For complete engine replacement, refer to  
TP-2181-A, Replacement Engine Price List.

# K241

## ENGINE SPECIFICATIONS

Engine Spec. No.	Sugg. Service/ Replac. Engine	Engine Modifica.	Required Crankshaft Change	Original Engine Crankshaft No.	Replac. Short Block	Replac. Miniblock	Engine Spec. No.	Sugg. Service/ Replac. Engine	Engine Modifica.	Required Crankshaft Change	Original Engine Crankshaft No.	Replac. Short Block	Replac. Miniblock
46250	46489	D,M,O,Q	—	A-235360	—	B-237869	46315	47187	D,O	—	A-235409	—	B-237415
46251	47176	D,Q	—	A-235395	—	B-237816	46316	—	—	—	A-235395	—	B-23769
46252	47176	D,O,P,Q	—	A-235395	—	C-237667	46317	47186	C	—	A-235406	—	C-23766
46253	47184	S	—	A-235387	—	C-237667	46318	—	—	—	A-235406	—	C-237667
46254	47187	D,O	—	A-235409	—	C-237667	46319	46489	D,O	—	B-235655	47 522 44	B-237868
46255	46489	D,O	—	A-235413	—	B-237869	46320	—	—	—	B-235655	—	C-237667
46256	47176	M,O,P,Q	—	A-235395	—	B-237415	46321	46489	D	—	B-235613	C-235618	B-237869
46257	—	—	—	—	—	—	46322	46489	D,M,O	—	B-235613	C-235618	B-237869
46258	47462	C,H,L,O,P	—	A-235246	—	B-237415	46323	46489	D,O,Q	—	B-235613	C-235618	B-237869
46259	—	—	—	A-235651	—	B-237568	46324	46489	D,O	—	B-235613	C-235618	B-237869
46260	—	—	—	A-235391	—	B-237415	46325	46489	D,M,O,Q	—	B-235613	C-235618	B-237698
46261	47187	O,P	—	A-235409	—	B-237415	46326	—	—	—	B-235613	—	B-237568
46262	—	—	—	A-235552	—	B-237698	46327	47184	S	—	A-235387	—	C-237667
46263	—	—	—	A-235552	—	B-237415	46328	—	—	—	A-235395	—	C-237667
46264	47186	D	—	A-235395	—	C-237667	46329	46700	M,O,Q	—	B-235613	47 522 44	B-237868
46265	—	C,O	—	A-235555	C-235699	B-237415	46330	47183	D,K,O,P	—	A-235397	—	C-237667
46266	47462	H,L,Q	—	A-235246	—	B-237415	46331	—	—	—	A-235651	—	B-23756
46267	47183	C,K,L,O,P	—	A-235397	—	C-237667	46332	47176	C,O,P,Q	—	A-235395	—	C-23766.
46268	—	—	—	A-235246	—	B-237415	46333	47176	D,O,Q	—	A-235395	—	B-237698
46269	46700	—	—	B-235613	47 522 44	B-237868	46334	—	—	—	A-235397	—	C-237667
46270	46700	—	—	A-235360	47 522 44	B-237868	46335	—	—	—	A-235651	—	B-237569
46271	47187	L	—	A-235394	—	B-237415	46336	47176	L,O,P	—	A-235395	—	B-237415
46272	47462	H,L,O,P	—	A-235246	—	B-237415	46337	47183	D,K,L,O,P,Q	—	A-235397	—	C-237667
46273	47176	L,O,P	—	A-235395	—	B-237415	46338	47176	C,Q	—	A-235395	—	B-237816
46274	47183	D,K,L,Q	—	A-235397	—	C-237667	46339	—	—	—	B-235613	—	—
46275	47176	C,L	—	A-235395	—	B-237698	46340	—	—	—	B-235613	—	—
46276	47176	C,L,O,P,Q	—	A-235395	—	B-237415	46341	—	—	—	A-235793	—	B-237569
46277	47176	C,L,Q	—	A-235395	—	B-237698	46342	47176	O,P	—	A-235395	—	B-237698
46278	—	—	—	A-235360	—	—	46343	—	—	—	—	—	—
46279	—	—	—	A-235360	—	B-237569	46344	—	—	—	A-235395	—	C-237667
46280	46700	—	—	B-235613	47 522 44	B-237686	46345	—	—	—	A-235395	—	C-23766
46281	47186	O	—	A-235395	—	C-237667	46346	47176	O,P	—	A-235395	—	B-23741
46282	—	—	—	A-235409	—	—	46347	—	—	—	A-235331	—	B-237415
46283	47176	C,L,O,P	—	A-235406	—	B-237698	46348	—	—	—	B-235613	—	B-237569
46284	47186	D,L,O,P,Q	—	A-235395	—	C-237667	46349	46489	M,O	—	B-235650	—	B-237698
46285	47186	C,O,M	—	A-235395	—	C-237667	46350	—	—	—	A-235793	—	A-237569
46286	47184	J,S	—	A-235387	—	C-237667	46351'	47176	C,L	—	B-236362	47 522 70	B-237698
46287	47183	D,O	—	A-235396	—	C-237667	46352	—	—	—	A-235711	C-236303	47 782 26
46288	47183	C,K,L,O,P,Q	—	A-235397	—	B-237345	46353	47184	L	—	A-235387	—	C-237667
46289	—	—	—	B-235613	—	—	46354	47187	D,O	—	A-235409	—	B-237415
46290	—	—	—	A-235413	—	B-237868	46355	46489	D,O	—	B-235613	C-235618	B-237869
46291	47187	D,L	—	A-235409	—	C-237667	46356	47176	C,L,O,Q	—	A-235395	—	B-237698
46292	47187	D,O	—	A-235409	—	B-237415	46357	47187	C,L	—	A-235409	—	B-237698
46293	—	—	—	—	—	—	46358	—	—	—	A-235246	—	—
46294	47176	C,L,Q	—	A-235406	—	B-237698	46359	—	—	—	A-235711	C-236303	B-237871
46295	—	—	—	A-235395	—	B-237415	46360	—	—	—	A-235076	—	—
46296	47184	J,S	—	A-235387	—	C-237667	46361	47176	O	—	A-235395	—	B-23769.
46297	47184	L	—	A-235387	—	C-237667	46362	—	—	—	A-235389	—	B-237415
46298	47184	—	—	A-235387	—	C-237667	46363	47176	C,O,P	—	A-235395	—	B-237415
46299	47184	—	—	A-235387	—	C-237667	46364	47176	C,L	—	A-235395	—	B-237698
46300	47184	J	—	A-235387	—	C-237667	46365	47187	O	—	B-235791	—	B-237415
46301	—	—	—	A-235326	—	B-237345	46366	47176	C,L	—	A-235395	—	B-237415
46302	47462	D,H,O	—	A-235246	—	B-237816	46367	—	—	—	A-235793	—	B-237568
46303	47183	L	—	A-235395	—	C-237667	46368	47187	M	—	B-235791	—	B-237415
46304	—	—	—	A-235396	—	C-237667	46369	—	—	—	B-235662	—	—
46305	—	—	—	A-235651	—	—	46370	—	—	—	A-235394	—	B-237698
46306	46489	D,L,O,Q	—	B-235613	C-235618	B-237869	46371	47176	C,L,O	—	A-235395	—	B-237698
46307	—	—	—	A-235395	—	B-237698	46372	—	—	—	A-235559	—	C-237667
46308	46489	O	—	B-235613	—	B-237869	46373	—	—	—	A-236206	—	C-237667
46309	47176	C,L	—	A-235395	—	B-237698	46374	47176	C,L	—	B-235662	—	B-237415
46310	—	—	—	B-235613	47 522 44	B-237868	46375	47176	C,L,O,P	—	A-235395	—	B-23769.
46311	—	—	—	A-235395	—	B-237415	46376	47176	C,L,Q	—	A-235395	—	B-23769.
46312	47183	C,O	—	A-235394	—	C-237667	46377	—	—	—	A-235395	—	B-237698
46313	—	—	—	B-236212	—	B-237415	46378	—	—	—	B-235613	—	B-237568
46314	—	—	—	—	—	B-237692	46379	—	—	—	B-236212	C-237323	B-237868

For complete engine replacement, refer to TP-2181-A, Replacement Engine Price List.

<sup>1</sup>Basic Engine

# ENGINE SPECIFICATIONS

# K241

Engine Spec. No.	Sugg. Service/Replac. Engine	Engine Modifica.	Required Crankshaft Change	Original Engine Crankshaft No.	Replac. Short Block	Replac. Miniblock	Engine Spec. No.	Sugg. Service/Replac. Engine	Engine Modifica.	Required Crankshaft Change	Original Engine Crankshaft No.	Replac. Short Block	Replac. Miniblock
46380	47176	C,L,P,Q	—	B-235662	—	B-237415	46445	—	—	—	B-235662	—	B-237698
46381	47462	C,H,L,P,Q	—	B-235775	—	B-237415	46446	47176	C,L,Q	—	B-235662	—	B-237698
46382	47176	C,L,Q	—	A-235395	—	B-237698	46447	47176	C,L	—	B-235662	—	B-237698
46383	47176	C,L,O,P,Q	—	A-235395	—	B-237698	46448	—	—	—	B-235775	—	B-237415
46384	47176	L,O,P	—	A-235395	—	B-237415	46449	47176	C,L	—	B-235662	—	B-237698
46385	46489	C,O,M	—	B-235613	47 522 44	C-237666	46450	47176	C,L,Q	—	B-235662	47 522 70	B-237698
46386	47184	J	—	A-235387	—	C-237667	46451	—	—	—	A-235395	—	—
46387	47184	—	—	A-235387	—	C-237667	46452	47183	C,K,L	—	B-236361	—	C-237667
46388	—	—	—	—	—	—	46453	47176	F	—	B-235662	—	B-237698
46389	47176	C,L,P,Q	—	B-235662	—	B-237698	46454	—	—	—	B-235662	—	B-237698
46390	47176	C,L,P,Q	—	B-235662	47 522 70	B-237698	46455	—	—	—	B-236358	C-236425	C-237667
46391	47187	C,L,O,P,Q	—	A-235409	—	B-237698	46456	47184	S	—	B-236358	C-236425	C-237667
46392	47176	C,L	—	B-236362	47 522 70	B-237698	46457	—	—	—	B-236358	C-236425	C-237667
46393	47176	C,L	—	A-235395	—	B-237698	46458	—	—	—	B-236358	C-236425	C-237667
46394	47462	C,H,L,N	—	B-235775	—	B-237415	46459	—	—	—	B-236362	—	B-237345
46395	—	—	—	B-235613	47 522 44	C-237666	46460	47184	J,S	—	B-236358	C-236425	C-237667
46396	47462	H,L	—	A-235246	—	B-237415	46461	47184	D,J	—	B-236358	—	B-237345
46397	—	—	—	B-235782	—	B-237569	46462	47184	J,S	—	B-236358	C-236425	C-237667
46398	47460	C,L,P,R	—	B-235662	C-237529*	B-237698	46463	47184	J,S	—	B-236358	C-236425	C-237667
46399	—	—	—	A-235395	—	—	46464	47184	D,J	—	B-236358	—	B-237345
46400	47176	C,L	—	A-235395	—	B-237698	46465	47184	S	—	B-236358	C-236425	C-237667
46401	—	—	—	—	—	—	46466	47184	J,S	—	B-236358	C-236425	C-237667
46402	—	—	—	—	—	B-237415	46467	47184	—	—	B-236358	C-236425	C-237667
46403	47462	H,L,O,P	—	A-235246	—	B-237415	46468	47184	J	—	B-236358	C-236425	C-237667
46404	—	—	—	A-235287	—	—	46469	47184	S	—	B-236358	C-236425	C-237667
46405	46489	C,O	—	B-235613	C-235618	B-237869	46470	—	—	—	B-236358	—	C-237667
46406	—	—	—	A-235287	—	C-237667	46471	—	—	—	B-236358	C-236425	C-237667
46407	46700	M,Q	—	B-235613	47 522 44	B-237868	46472	47184	—	—	B-236358	C-236425	C-237667
46408	—	—	—	A-235246	—	B-237415	46473	47184	D,J	—	B-236358	—	B-237345
46409	46489	D,M,Q	—	B-235613	—	C-237666	46474	47184	J,S	—	B-236358	C-236425	C-237667
46410	46489	C,O,M	—	B-235613	47 522 44	C-237666	46475	—	—	—	B-235791	—	B-237415
46411	—	—	—	B-235662	—	B-237698	46476	—	—	—	B-235791	—	B-237345
46412	46489	N,Q	—	B-235613	—	B-237869	46477	—	—	—	B-236358	—	B-237345
46413	—	—	—	A-235711	—	—	46478	—	—	—	B-236362	—	B-237415
46414	—	—	—	B-235662	—	—	46479	—	—	—	B-235775	—	B-237415
46415	47176	C,M,O	—	A-235395	—	B-237698	46480	—	—	—	A-235711	—	B-237415
46416	—	—	—	B-236362	C-237529	B-237415	46481	47176	C,L	—	B-235662	47 522 70	B-237698
46417	46700	M,Q,R	—	B-235613	—	—	46482	47176	C,L	—	B-235662	47 522 70	B-237698
46418	—	—	—	B-236362	—	B-237415	46483	—	—	—	B-236359	—	C-237667
46419	—	—	—	B-235662	—	B-237698	46484	—	—	—	B-236212	C-237323	B-237868
46420	—	—	—	B-236212	—	B-237868	46485	47184	J,S	—	B-236358	C-236425	C-237667
46421	46489	C,O	—	B-235613	47 522 44	C-237666	46486	46700	M,Q,R	—	B-235613	47 522 44	B-237868
46422	—	—	—	B-235782	—	B-237569	46487	—	—	—	B-235655	C-235618	B-237869
46423	47187	C,L	—	B-235655	—	B-237698	46488	—	—	—	B-235655	C-235618	B-237869
46424	47462	C,H,L	—	B-235775	—	B-237415	46489	—	—	—	B-235655	C-235618	B-237869
46425	47176	C,L	—	B-235662	47 522 70	B-237415	46490	—	—	—	B-235655	—	B-237568
46426	47183	C,O	—	A-235711	—	B-237345	46491	—	—	—	B-235613	—	—
46427	—	—	—	B-236365	—	B-237698	46492	47184	N	—	B-236358	C-236425	C-237667
46428	—	—	—	B-236358	—	B-237415	46493	—	—	—	B-235650	—	—
46429	47462	C,H,K	—	B-235775	—	B-237415	46494	47176	L,O,P	—	A-235406	—	B-237415
46430	47176	C,L,Q	—	B-235662	47 522 70	B-237698	46495	47183	C,L,K,Q	—	A-235711	—	B-237345
46431	47176	C,L	—	B-235662	47 522 70	B-237698	46496	—	—	—	B-236360	—	C-237667
46432	47187	C,L	—	B-236359	—	B-237698	46497	47176	M,O	—	A-235395	—	C-237667
46433	47176	C,L	—	B-235662	—	B-237698	46498	—	—	—	A-235397	—	—
46434	47462	C,H,L,Q	—	B-235775	—	B-237415	46499	46489	C,R	—	B-235613	—	B-237869
46435	—	—	—	B-235775	—	B-237415	46500	—	—	—	B-236360	—	C-237667
46436	47183	C,K,L,Q	—	B-236361	—	C-237667	46501	—	—	—	B-235613	—	B-237869
46437	47176	C,L	—	B-235662	47 522 70	B-237698	46502	47176	C,L	—	B-235662	—	B-237698
46438	47184	—	—	B-236358	C-236425	C-237667	46503	—	—	—	B-235662	—	—
46439	47176	C,L,Q	—	B-236362	47 522 70	B-237698	46504	—	—	—	B-235650	—	—
46440	—	—	—	B-236356	—	B-237345	46505	—	—	—	B-235662	C-237697	B-237816
46441	—	—	—	B-236424	—	B-237415	46506	47462	C,O,P	—	B-235775	—	B-237816
46442	—	—	—	B-236361	—	C-237667	46507	—	—	—	B-235662	—	—
46443	47176	C,L,Q	—	B-235662	—	B-237698	46508	—	—	—	B-235782	—	B-237569
46444	47176	C,L	—	B-235662	—	B-237698	46509	47176	L,Q	—	B-235662	—	B-237415

\*Basic Engine

\*Transfer bearing plate on engines with spec. suffix "D" and earlier.

For complete engine replacement, refer to TP-2181-A, Replacement Engine Price List.

# K241

# ENGINE SPECIFICATIONS

Engine Spec. No.	Sugg. Service/Replac. Engine	Engine Modifica.	Required Crank-shaft Change	Original Engine Crankshaft No.	Replac. Short Block	Replac. Miniblock	Engine Spec. No.	Sugg. Service/Replac. Engine	Engine Modifica.	Required Crank-shaft Change	Original Engine Crankshaft No.	Replac. Short Block	Replac. Miniblock
46510	47176	C,L,O,P	—	B-235662	—	B-237698	46574	47187	C,O	—	B-235791	—	B-237411
46511	47460	C,G,L,P	—	B-235662	47 522 70	B-237698	46575	47184	S	—	B-236358	C-236425	C-2376
46512	—	—	—	B-235662	—	B-237698	46576	47462	H,L,N	—	B-235775	—	B-2374
46513	—	—	—	B-235782	—	B-237568	46577	47176	C	—	B-235662	—	B-237698
46514	47187	M	—	B-235791	—	B-237415	46578	—	—	—	B-236362	—	B-237415
46515	47176	D,L,O	—	A-235395	—	C-237667	46579	47176	C,L,O,P,Q	—	B-235662	—	B-237415
46516	47176	L	—	B-235662	—	B-237698	46580	—	—	—	B-236364	B-237694	47 782 26
46517	47176	C,L	—	B-235662	47 522 70	B-237415	46581	47184	D,J	—	B-236358	—	B-237345
46518	—	—	—	B-236774	—	C-237667	46582	47186	D	—	B-235662	C-237697	C-237667
46519	47186	D	—	A-235395	—	C-237667	46583	—	—	—	B-236359	—	B-237569
46520D	—	—	—	B-235782	47 522 71	B-237568	46584	—	—	—	B-235775	—	B-237415
46520E	—	—	—	B-235782	47 522 71	B-237568	46585	47187	C	—	B-235791	—	B-237698
46521	—	—	—	B-235613	—	—	46586	47176	D,O,Q	—	B-235662	47 522 70	B-237698
46522	47184	J	—	B-236358	C-236425	C-237667	46587	47176	C,O,P	—	B-235662	—	B-237415
46523	—	—	—	B-235782	—	B-237569	46588	—	—	—	B-235662	—	B-237698
46524	—	—	—	—	—	—	46589	—	—	—	B-235662	—	B-237698
46525	—	—	—	B-236361	—	C-237667	46590	47176	C,M,Q	—	B-235662	47 522 70	B-2376
46526	—	—	—	B-235613	—	B-237869	46591	—	—	—	B-236362	C-237529	B-23741
46527	—	—	—	B-235782	—	B-237569	46592	—	—	—	B-235662	—	B-237698
46528	—	—	—	B-235662	—	C-237667	46593	—	—	—	B-237077	B-237095	—
46529	—	—	—	B-236362	—	—	46594	—	—	—	B-236362	—	—
46530	—	—	—	B-236361	—	—	46595	—	—	—	B-235662	C-237697	C-237667
46531	47184	D,J	—	B-236358	—	B-237345	46596	—	—	—	B-236358	—	—
46532	47184	D,J	—	B-236358	—	B-237345	46597	—	—	—	B-237118	—	B-237415
46533	—	—	—	B-236362	—	—	46598	47184	D,J	—	B-236358	—	B-237345
46534	—	—	—	B-236212	—	—	46599	—	—	—	B-236358	—	—
46535	47176	C,L,Q	—	B-235662	—	B-237698	46600	47184	D,J,S	—	B-236358	—	B-237345
46536	47460	C,E,G,L,P,Q	—	B-235662	—	C-237667	46601	47184	D,J	—	B-236358	—	B-237345
46537	—	—	—	A-235793	—	B-237569	46602	—	—	—	B-235791	—	B-237868
46538	—	—	—	B-235782	—	B-237569	46603	47176	C	—	B-235662	—	B-237698
46539	47176	C,G,P	—	B-235662	—	B-237698	46604	47184	D,J	—	B-236358	—	B-2373
46540	—	—	—	B-235662	—	B-237698	46605	47184	D,J	—	B-236358	—	B-2373
46541	47176	C,L	—	B-235662	—	B-237698	46606	—	—	—	B-236364	B-237694	B-237871
46542	—	—	—	B-235662	—	B-237698	46607	—	—	—	B-235791	—	—
46543	—	—	—	B-236762	—	B-237415	46608	—	—	—	B-237077	B-237095	—
46544	—	—	—	B-235662	—	B-237415	46609	47184	S	—	B-236358	C-236425	C-237667
46545	47176	R	—	B-236774	—	C-237667	46610	47176	—	—	B-236362	47 522 70	B-237698
46546	47176	D,M,N	—	B-235662	—	B-237698	46611	46700	M,Q	—	B-235613	47 522 44	B-237868
46547	47187	O,P	—	B-236359	—	B-237415	46612	—	—	—	B-235662	—	B-237698
46548	47176	C,L,O,P	—	B-235662	—	B-237698	46613	—	—	—	B-235791	—	B-237698
46549	47176	C,L,O,P,Q	—	B-235662	—	B-237698	46614	47460	C,E,G,L,P,Q	—	B-235662	C-237529	B-237698
46550	—	—	—	B-235662	—	B-237698	46615	47460	C,E,G,L,P	—	B-235662	C-237529	B-237415
46551	—	—	—	B-235662	—	B-237415	46616	—	—	—	B-235662	—	—
46552	47176	D,O,Q	—	A-235552	47 522 70	B-237698	46617	—	—	—	B-236364	B-237694	47 782 26
46553	47187	C,E,G,P,S	—	B-235613	—	C-237667	46618	—	—	—	B-235613	—	B-237868
46554	47183	D,K,L,O,P	—	A-235711	—	C-237667	46619	—	—	—	B-235613	—	—
46555	—	—	—	B-236361	—	C-237667	46620	—	—	—	B-235613	—	—
46556	47176	C,L,O,P	—	B-235662	—	B-237415	46621	—	—	—	B-235613	—	—
46557	47462	C,H,L,O,P	—	B-235775	—	B-237415	46622	—	—	—	B-235613	—	—
46558	47176	C,L,O,P	—	B-235662	—	B-237698	46623	47184	J	—	B-236358	—	B-237345
46559	47462	C,H,L,O,P	—	B-235775	—	B-237415	46624	—	—	—	B-235775	—	B-237415
46560	47186	D	—	B-236362	C-237697	C-237667	46625	47184	—	—	B-236358	C-236425	C-237667
46561	—	—	—	B-235613	—	—	46626	—	—	—	B-236362	—	—
46562	47176	A,O,P	—	B-235662	C-237697	C-237667	46627	—	—	—	B-236362	—	C-237666
46563	47176	L,O,P	—	B-235662	—	B-237698	46628	47460	C,G,L,P	—	B-235662	C-237529	B-237698
46564	47176	C,L	—	B-235662	—	B-237415	46629	—	—	—	B-235662	C-237529	B-237698
46565	47176	D	—	B-235655	—	C-237667	46630	47176	C,L	—	B-235662	47 522 70	B-237415
46566	—	—	—	B-235662	C-237529	B-237698	46631	47184	L,N	—	B-236358	C-236425	C-237667
46567	—	—	—	B-235662	—	B-237698	46632	—	—	—	B-235613	47 522 44	B-237868
46568	—	—	—	B-235662	—	B-237698	46633	—	—	—	B-237077	B-237095	—
46569	47176	C,O	—	B-236364	—	B-237415	46634	47460	C,R	—	B-236362	47 522 35	B-2374
46570	47176	C,O,P,Q	—	B-235662	C-237697	C-237667	46635	—	—	—	B-237077	B-237095	—
46571	47184	D,J	—	B-236358	—	B-237345	46636	47460	D,Q,R	—	B-236362	C-237529	B-237415
46572	47176	G,P	—	B-236362	—	B-237698	46637	—	—	—	—	—	—
46573	—	—	—	—	—	—	46638	—	—	—	B-235791	—	B-237698

For complete engine replacement, refer to TP-2181-A, Replacement Engine Price List.

<sup>1</sup>Basic Engine

# ENGINE SPECIFICATIONS

# K241

Engine Spec. No.	Sugg. Service/Replac. Engine	Engine Modifica.	Required Crank-shaft Change	Original Engine Crankshaft No.	Replac. Short Block	Replac. Miniblock	Engine Spec. No.	Sugg. Service/Replac. Engine	Engine Modifica.	Required Crank-shaft Change	Original Engine Crankshaft No.	Replac. Short Block	Replac. Miniblock
46639	—	—	—	—	—	—	46704	—	—	—	B-235613	—	—
46640	—	—	—	B-235782	47 522 71	B-237568	46705	47460	G,L,P	—	B-235662	C-237529	B-237698
46641	—	—	—	—	—	—	46706	—	—	—	B-235662	47 522 70	B-237698
46642	47460	C,G,L,P	—	B-235662	C-237529	B-237415	46707	47184	D,J,S	—	B-236358	—	B-237345
46643	47460	C,R	—	B-236362	C-237529	B-237415	46708	—	—	—	B-236364	B-237694	47 782 26
46644	—	—	—	B-236362	—	—	46709	47460	A,D,G,P,R	—	B-235662	C-237529	B-237698
46645	—	—	—	B-237572	—	B-237415	46710	—	—	—	B-235662	47 522 70	B-237415
46646	—	—	—	B-235662	C-237529	B-237698	46711	—	—	—	B-236358	—	B-237415
46647	—	—	—	B-235662	47 522 70	B-237698	46712	—	—	—	B-235775	—	B-237415
46648	—	—	—	—	—	—	46713	—	—	—	B-237077	47 522 41	B-237873
46649	47184	J	—	B-236358	47 522 26	B-237872	46714	—	—	—	—	—	—
46650	—	—	—	B-236358	C-235617	B-237415	46715	—	—	—	B-235791	—	B-237415
46651	—	—	—	B-235662	C-237529	B-237415	46716	—	—	—	47 014 03	47 522 61	B-237415
46652	—	—	—	B-235662	C-237529	B-237698	46717	—	—	—	B-235655	47 522 31	—
46653	—	—	—	B-235662	C-237529	B-237698	46718	—	—	—	47 014 07	47 522 36	B-237415
46654	47184	J	—	B-236358	47 522 26	B-237872	46719	—	—	—	—	—	—
46655	47184	J,S	—	B-236358	—	B-237415	46720	—	—	—	B-237077	47 522 41	B-237873
46656	47184	—	—	B-236358	47 522 26	B-237872	46721	47187	L,N	—	B-235791	—	B-237698
46657	46700 <sup>3</sup>	—	—	B-235613	47 522 44	B-237868	46722	—	—	—	B-235791	—	B-237698
46658	47184	J,S	—	B-236358	C-237697	C-237667	46723	47187	L	—	B-235791	—	B-237698
46659	—	—	—	B-236362	47 522 32	C-237666	46724	—	—	—	B-236362	47 522 35	B-237415
46660	47184	S	—	B-236358	C-236425	C-237667	46725	—	—	—	B-236362	47 522 35	B-237415
46661	47176	D,L	—	B-235662	C-237697	C-237667	46726	—	—	—	B-236362	47 522 32	C-237666
46662	—	—	—	B-235662	47 522 70	B-237415	46727	—	—	—	B-235662	47 522 70	B-237698
46663	—	—	—	B-236364	—	—	46728	—	—	—	B-235662	47 522 70	B-237415
46664	—	—	—	B-236362	47 522 35	B-237415	46729	—	—	—	B-235662	47 522 70	B-237698
46665	—	—	—	B-235782	47 522 71	B-237568	46730	—	—	—	B-235662	47 522 70	B-237415
46666	—	—	—	B-236358	47 522 26	B-237872	46731	47184	L,N	—	B-236358	47 522 26	C-237667
46667	—	—	—	—	—	—	46732	47176	C,N,S	—	B-235662	47 522 70	B-237415
46668	—	—	—	—	—	—	46733	47184	J,S	—	B-236358	47 522 26	C-237667
46669	47184	S	—	B-236358	C-236425	C-237667	46734	—	—	—	B-235655	47 522 46	C-237666
46670	47183	—	—	B-235791	—	B-237698	46735	—	—	—	47 014 03	47 522 61	B-237415
46671	—	—	—	B-235791	—	C-237666	46736	—	—	—	B-236364	B-237694	47 782 26
46672	47460	—	—	B-235662	C-237529	B-237698	46737	—	—	—	B-235782	47 522 71	B-237568
46673	47184	L	—	B-236358	C-236425	C-237667	46738	46826 <sup>3</sup>	—	—	47 014 03	47 522 61	B-237415
46674	—	—	—	B-236362	47 522 32	C-237666	46739	—	—	—	B-235662	—	—
46675	—	—	—	B-235791	—	B-237698	46740	46844 <sup>3</sup>	—	—	B-236362	47 522 32	C-237666
46676	47176	Q,R	—	B-235662	C-237529	B-237698	46741	—	—	—	B-235662	47 522 70	B-237698
46677	47460	—	—	B-235662	C-237529	B-237698	46742	—	—	—	B-236362	—	47 782 25
46678	—	—	—	B-237077	47 522 41	B-237873	46743	—	—	—	B-235662	47 522 70	B-237415
46679	—	—	—	B-236362	—	—	46744	—	—	—	B-235662	47 522 70	B-237698
46680	—	—	—	B-236358	—	—	46745	—	—	—	B-235662	47 522 70	B-237415
46681	47460	—	—	B-235662	47 522 72	B-237816	46746	46837 <sup>3</sup>	—	—	B-236364	47 522 82	47 782 26
46682	—	—	—	B-236358	—	—	46747	47176	—	—	B-235662	47 522 70	B-237698
46683	—	—	—	B-236364	B-237694	47 782 26	46748	—	—	—	B-235662	C-237529	B-237698
46684	—	—	—	B-235662	47 522 70	B-237698	46749	—	—	—	A-235395	C-237529	B-237415
46685	—	—	—	B-236362	47 522 70	B-237698	46750	—	—	—	B-235662	47 522 70	B-237415
46686	—	—	—	B-235775	—	B-237415	46751	—	—	—	B-235662	C-237529	B-237415
46687	—	—	—	B-235791	—	—	46752	—	—	—	B-235662	47 522 70	B-237698
46688	—	—	—	B-236362	—	—	46753	—	—	—	B-237077	47 522 41	—
46689	—	—	—	B-235791	—	—	46754	—	—	—	B-235655	47 522 46	C-237666
46690	—	—	—	B-236358	—	—	46755	46826 <sup>3</sup>	—	—	47 014 03	47 522 61	B-237415
46691	—	—	—	B-236212	C-237323	B-237868	46756	—	—	—	B-236362	C-237529	B-237698
46692	—	—	—	B-236362	47 522 70	B-237698	46757	—	—	—	B-236362	47 522 70	B-237698
46693	—	—	—	B-235662	—	C-237667	46758	47176	L,N	—	B-236362	47 522 70	B-237698
46694	—	—	—	B-235662	47 522 70	B-237415	46759	46846 <sup>3</sup>	—	—	B-236362	47 522 73	47 782 22
46695	—	—	—	B-235662	C-237529	B-237698	46760	46827 <sup>3</sup>	—	—	47 014 03	47 522 61	B-237415
46696	—	—	—	B-236362	47 522 32	C-237666	46761	—	—	—	47 014 07	47 522 36	—
46697	47184	L,N	—	B-236358	C-235617	B-237698	46762	47460	G,L,P	—	B-235662	C-237529	B-237698
46698	—	—	—	B-235613	—	B-237698	46763	—	—	—	B-237077	47 522 53	—
46699	47460	C,G,L,P,R	—	B-235662	C-237529	B-237698	46764	—	—	—	47 014 07	47 522 36	B-237415
46700	46700	—	—	B-235613	47 522 44	B-237868	46765	—	—	—	47 014 10	—	—
46701	—	—	—	B-236358	47 522 26	B-237872	46766	46846 <sup>3</sup>	—	—	B-236362	47 522 73	47 782 22
46702	—	—	—	B-237077	47 522 41	B-237873	46767 <sup>1</sup>	47460 <sup>2</sup>	G,L,P	—	B-236362	C-237529	B-237698
46703	47460	C,G,L,Q	—	B-235662	47 522 72	B-237816	46768	47176 <sup>2</sup>	L,N	—	B-235662	C-237529	B-237698

<sup>1</sup>Basic Engine

<sup>2</sup>Order four (4) 47 112 12 spacers for pilotless applications.

<sup>3</sup>Replacement Engine.

For complete engine replacement, refer to  
TP-2181-A, Replacement Engine Price List.

# K241

## ENGINE SPECIFICATIONS

Engine Spec. No.	Sugg. Service/ Replac. Engine	Engine Modifica.	Required Crank-shaft Change	Original Engine Crankshaft No.	Replac. Short Block	Replac. Miniblock	Engine Spec. No.	Sugg. Service/ Replac. Engine	Engine Modifica.	Required Crank-shaft Change	Original Engine Crankshaft No.	Replac. Short Block	Replac. Miniblock
46769	47176 <sup>2</sup>	L	—	B-235662	C-237529	B-237698	46834	—	—	—	B-235782	—	B-23756
46770	47176	L,N	—	B-235662	C-237529	B-237415	46835	46846 <sup>3</sup>	—	—	B-236362	47 522 73	47 782
46771	47176 <sup>2</sup>	L,N	—	B-235662	C-237529	B-237698	46836	47460	—	—	B-236362	C-237529	B-2376
46772	47176 <sup>2</sup>	L,N	—	B-236362	C-237529	B-237698	46837 <sup>3</sup>	—	—	—	B-236364	47 522 82	47 782 26
46773	47176 <sup>2</sup>	G,L,P	—	B-235662	C-237529	B-237698	46838	47460	G,L,P	—	B-236362	47 522 70	B-237698
46774	47176 <sup>2</sup>	G,L,P	—	B-235662	C-237529	B-237698	46839	47460	G,L,P	—	B-236362	C-237529	B-237698
46775	47176 <sup>2</sup>	L,Q	—	B-235662	C-237529	B-237698	46840	—	—	—	47 014 03	47 522 61	B-237415
46776	47176 <sup>2</sup>	L	—	B-235662	C-237529	B-237698	46841	—	—	—	47 014 03	—	B-237415
46777	47460 <sup>2</sup>	C,G,P	—	B-235662	C-237529	B-237698	46842	46767 <sup>1</sup>	G,L,P	Yes	B-235655	—	B-237698
46778	—	—	—	B-235662	—	C-237667	46843	47460	G,L,P	—	B-236362	C-237529	B-237698
46779	47460 <sup>2</sup>	G,L,P,Q	—	B-236362	C-237529	B-237698	46844 <sup>3</sup>	46844 <sup>3</sup>	—	—	B-236362	47 522 32	C-237666
46780	—	—	—	—	—	—	46845	46785 <sup>3</sup>	—	—	B-237077	47 522 57	—
46781	—	—	—	—	—	—	46846 <sup>3</sup>	46846 <sup>3</sup>	R	—	B-236362	47 522 73	47 782 22
46782	47176 <sup>2</sup>	L,N	—	B-235662	C-237529	B-237698	46847	47460	G,L	—	B-236362	47 522 35	C-237667
46783	47460 <sup>2</sup>	G,L,P	—	B-235662	C-237529	B-237698	46848	47460	P	—	B-236362	C-237529	B-237698
46784	47460 <sup>2</sup>	G,L,P	—	B-236362	C-237529	B-237698	46849	—	—	—	B-236362	47 522 35	C-2376
46785 <sup>3</sup>	46785 <sup>3</sup>	—	—	B-237077	47 522 57	—	46850	—	—	—	B-237077	—	B-2376
46786	47460 <sup>2</sup>	G,L,P	—	B-235662	C-237529	B-237698	46851	—	—	—	47 014 32	—	47 782 2
46787	—	—	—	B-235662	47 522 35	C-237667	46852	—	—	—	B-236362	—	B-237568
46788	—	—	—	B-235662	47 522 72	B-237816	46853	—	—	—	47 014 32	—	47 782 29
46789	—	—	—	B-235782	47 522 71	B-237568	46854	—	—	—	47 014 32	—	47 782 29
46790	46827 <sup>3</sup>	—	—	47 014 03	47 522 61	B-237415	46855	—	—	—	47 014 32	—	47 782 29
46791	47460 <sup>2</sup>	G,L,P	—	B-236362	C-237529	B-237698	46856	—	—	—	47 014 31	—	47 782 29
46792	47460 <sup>2</sup>	G,L,P	—	B-236362	C-237529	B-237415	46857	—	—	—	47 014 31	—	47 782 29
46793	—	—	—	B-235775	—	B-237415	46858 <sup>3</sup>	—	—	—	B-236362	47 522 35	C-237667
46794	—	—	—	—	—	B-237415	46859	—	—	—	B-235613	—	B-237568
46795	47460 <sup>2</sup>	G,L,P	—	B-235662	C-237529	B-237698	46860	47460	G,L	—	B-236362	C-237529	B-237698
46796	—	—	—	47 014 15	—	—	46861	—	—	—	B-236362	C-237529	B-237415
46797	47176	C,N	—	B-236364	—	B-237415	46862	—	—	—	B-235782	47 522 71	B-237568
46798	47176 <sup>2</sup>	G,L,P	—	B-236362	47 522 70	B-237698	46863 <sup>3</sup>	—	—	—	B-236362	47 522 35	C-237667
46799	—	—	—	B-236774	—	B-237698	46864	—	—	—	B-236362	C-237529	B-2374
46800	—	—	—	B-235655	—	C-237667	46865	—	—	—	B-235782	—	47 782
46801	47176 <sup>2</sup>	L,N	—	B-235662	47 522 70	B-237698	46866	—	—	—	B-236362	47 522 70	B-237698
46802	47460	G,L,P	—	B-235662	C-237529	B-237415	46867	47460	G,L	—	47 142 02	C-237529	B-237415
46803	—	—	—	47 014 07	47 522 36	B-237415							
46804	47176 <sup>2</sup>	L,N,Q	—	B-236362	47 522 70	B-237698							
46805	46846 <sup>3</sup>	—	—	B-235662	47 522 73	47 782 22							
46806	—	—	—	B-235782	—	B-237568							
46807	47176	L,N	—	B-235662	47 522 70	B-237415							
46808	47176 <sup>2</sup>	L,N	—	B-236362	47 522 70	B-237698							
46809	47176	C,L,N,Q	—	B-236362	47 522 70	B-237415							
46810	47460	C,G,L,P	—	B-236362	C-237529	B-237415							
46811	47176 <sup>2</sup>	L,N	—	B-235662	47 522 70	B-237698							
46812	46846 <sup>3</sup>	—	—	B-236362	47 522 73	47 782 22							
46813	—	—	—	—	—	—							
46814	—	—	—	—	—	—							
46815	47176 <sup>2</sup>	N	—	B-236362	47 522 70	B-237698							
46816	—	—	—	B-236364	—	—							
46817	47460	—	—	B-236362	C-237529	B-237698							
46818	—	—	—	B-236362	47 522 35	C-237667							
46819	—	—	—	B-236362	47 522 70	B-237698							
46820	47176 <sup>2</sup>	L,N	—	B-235662	47 522 70	B-237698							
46821	—	—	—	B-236774	—	B-237698							
46822	47460 <sup>2</sup>	G,L	—	B-236362	C-237529	B-237698							
46823	—	—	—	47 014 26	—	B-237415							
46824	47460 <sup>2</sup>	L,P,R	—	B-236362	C-237529	B-237698							
46825	47460 <sup>2</sup>	G,L,P	—	B-236362	C-237529	B-237698							
46826 <sup>3</sup>	—	—	—	47 014 03	47 522 61	B-237415							
46827 <sup>3</sup>	—	—	—	47 014 03	47 522 61	B-237415							
46828	47176 <sup>2</sup>	L,N	—	B-236362	47 522 70	B-237698							
46829	47460 <sup>2</sup>	G,L,P	—	B-235662	C-237529	B-237698							
46830	47176	L,N	—	B-236362	47 522 70	B-237415							
46831	47176 <sup>2</sup>	N	—	B-236362	47 522 70	B-237698							
46832	47460 <sup>2</sup>	G,P	—	B-236362	C-237529	B-237698							
46833	—	—	—	B-236364	47 522 82	47 782 26							

For complete engine replacement, refer to TP-2181-A, Replacement Engine Price List.

<sup>1</sup>Basic Engine

<sup>2</sup>Order four (4) 47 112 12 spacers for pilotless applications.

<sup>3</sup>Replacement Engine

# GENERATOR SPECIFICATIONS

# K241

Spec. No.	Crankshaft	Miniblock	Short Block	Universal Spec. No.	Service Eng. Modification	Spec. No.	Crankshaft	Miniblock	Short Block	Universal Spec. No.	Service Eng. Modification
5100A	A-235387	C-237667	—	47184		51108A	A-235387	C-237667	—	47184	
5101A	A-235387	C-237667	—	47184		51108C	A-235387	C-237667	—	47184	
5102A	A-235387	C-237667	—	47184		51108D	A-235387	C-237667	—	47184	
5103A	A-235387	C-237667	—	47184	S	51108E	B-236358	C-237667	C-236425	47184	
5104A	A-235387	C-237667	—	47184	S	51109A	A-235387	C-237667	—	47184	S
5105A	A-235387	C-237667	—	47184		51109D	A-235387	C-237667	—	47184	S
5106A	A-235387	C-237667	—	47184	S	51110A	A-235387	C-237667	—	47184	J, S
5107A	A-235387	C-237667	—	47184	J	51111A	A-235387	C-237667	—	47184	J
5108A	A-235387	C-237667	—	47184	J	51111C	A-235387	C-237667	—	47184	J
5109A	A-235387	C-237667	—	47184	J	51111D	A-235387	C-237667	—	47184	J
5110A	A-235387	C-237667	—	47184	J, S	51111E	B-236358	C-237667	C-236425	47184	
5111A	A-235387	C-237667	—	47184		51112A	A-235387	C-237667	—	47184	
5112A	A-235387	C-237667	—	47184	J	51112E	B-236358	C-237667	C-236425	47184	
5113A	A-235387	C-237667	—	47184	J	51113A	A-235387	C-237667	—	47184	
5114A	A-235387	C-237667	—	47184	S	51113D	A-235387	C-237667	—	47184	
5116A	A-235387	C-237667	—	47184	S	51113E	B-236358	C-237667	C-236425	47184	J, S
5117A	A-235387	B-237345	—	47184	J	51114A	A-235387	C-237667	—	47184	S
5118A	A-235387	C-237667	—	47184	S	51114D	A-235387	C-237667	—	47184	S
5119A	A-235387	C-237667	—	47184	S	51114E	B-236358	C-237667	C-236425	47184	S
5120A	A-235387	B-237345	—	47184	J	51115A	A-235387	C-237667	—	47184	S
5121A	A-235387	B-237345	—	47184	J	51115B	A-235387	C-237667	—	47184	S
5124A	A-235387	C-237667	—	47184	S	51115D	A-235387	C-237667	—	47184	S
5125A	A-235387	C-237667	—	47184		51115E	B-236358	C-237667	C-236425	47184	S
5126A	A-235387	B-237345	—	47184	J	51116A	A-235387	C-237667	—	47184	
5128A	A-235387	C-237667	—	47184	J, S	51116D	A-235387	C-237667	—	47184	
5130A	A-235387	C-237667	—	47184	J, S	51116E	B-236358	C-237667	C-236425	47184	
5132A	A-235387	C-237667	—	47184		51117A	A-235387	C-237667	—	47184	
5133A	A-235387	C-237667	—	47184	J, S	51117C	A-235387	C-237667	—	47184	
5134A	A-235387	C-237667	—	47184	J	51117D	A-235387	C-237667	—	47184	
5137A	A-235387	C-237667	—	47184		51117E	B-236358	C-237667	C-236425	47184	
5138A	A-235387	C-237667	—	47184		51119A	A-235387	C-237667	—	47184	J
5139A	A-235387	B-237415	—	47184	J	51119C	A-235387	C-237667	—	47184	J
5141A	A-235387	C-237667	—	47184		51119D	A-235387	C-237667	—	47184	J
5142A	A-235387	C-237667	—	47184	S	51119E	B-236358	C-237667	C-236425	47184	J, S
5143A	A-235387	B-237415	—	47184	J	51120A	A-235387	C-237667	—	47184	J, S
5144A	A-235387	C-237667	—	47184	J	51120D	A-235387	C-237667	—	47184	J, S
5145A	A-235387	B-237415	—	47184	J	51120E	B-236358	C-237667	C-236425	47184	J, S
51100A	A-235387	C-237667	—	47184		51121A	A-235387	C-237667	—	47184	
51100C	A-235387	C-237667	—	47184		51121C	A-235387	C-237667	—	47184	
51100D	A-235387	C-237667	—	47184		51121D	A-235387	C-237667	—	47184	
51100E	B-236358	C-237667	C-236425	47184		51121E	B-236358	C-237667	C-236425	47184	
51101A	A-235387	C-237667	—	47184		51123A	A-235387	C-237667	—	47184	J, S
51101C	A-235387	C-237667	—	47184		51124A	A-235387	C-237667	—	47184	J
51101D	A-235387	C-237667	—	47184		51124C	A-235387	C-237667	—	47184	J
51101E	B-236358	C-237667	C-236425	47184		51124E	B-236358	C-237667	C-236425	47184	S
51102A	A-235387	C-237667	—	47184	S	51125A	A-235387	C-237667	—	47184	J, S
51102D	A-235387	C-237667	—	47184	S	51125D	A-235387	C-237667	—	47184	J, S
51102E	B-236358	C-237667	C-236425	47184	S	51125E	B-236358	C-237667	C-236425	47184	J, S
51103A	A-235387	C-237667	—	47184		51126A	A-235387	C-237667	—	47184	L
51103B	A-235387	C-237667	—	47184		51126C	A-235387	C-237667	—	47184	L
51103C	A-235387	C-237667	—	47184		51126D	A-235387	C-237667	—	47184	L
51103D	A-235387	C-237667	—	47184		51127A	A-235387	C-237667	—	47184	S
51103E	B-236358	C-237667	C-236425	47184		51127D	A-235387	C-237667	—	47184	S
51104A	A-235387	B-237415	—	47184	J	51127E	B-236358	C-237667	C-236425	47184	S
51104D	A-235387	B-237415	—	47184	J	51128A	A-235387	C-237667	—	47184	S
51104E	B-236358	B-237415	—	47184	J	51128D	A-235387	C-237667	—	47184	S
51105A	A-235387	B-237415	—	47184	J	51128E	B-236358	C-237667	C-236425	47184	S
51105D	A-235387	B-237415	—	47184	J	51129A	A-235387	C-237667	—	47184	
51105E	B-236358	B-237415	—	47184	J	51129C	A-235387	C-237667	—	47184	
51106A	A-235387	B-237415	—	47184	J	51129D	A-235387	C-237667	—	47184	
51106D	A-235387	B-237415	—	47184	J	51129E	B-236358	C-237667	C-236425	47184	
51106E	B-236358	B-237415	—	47184	J	51130A	A-235387	C-237667	—	47184	J, S
51107A	A-235387	B-237415	—	47184	J	51130D	A-235387	C-237667	—	47184	J, S
51107D	A-235387	B-237415	—	47184	J	51130E	B-236358	C-237667	C-236425	47184	J, S
51107E	B-236358	B-237415	—	47184	J	51131B	A-235387	C-237667	—	47184	J, S

# K241

## GENERATOR SPECIFICATIONS

Spec. No.	Crankshaft	Miniblock	Short Block	Universal Spec. No.	Service Eng. Modification	Spec. No.	Crankshaft	Miniblock	Short Block	Universal Spec. No.	Service Eng. Modification
51132A	A-235387	C-237667	—	47184		51157E	B-236358	C-237667	C-236425	47184	S
51132C	A-235387	C-237667	—	47184		51158D	A-235387	C-237667	—	47184	J, S
51132D	A-235387	C-237667	—	47184		51158E	B-236358	C-237667	C-236425	47184	J, S
51132E	B-236358	C-237667	C-236425	47184		51159D	A-235387	C-237667	—	47184	S
51133B	A-235387	C-237667	—	47184	J	51159E	B-236358	C-237667	C-236425	47184	S
51133C	A-235387	C-237667	—	47184	J	51160D	A-235387	C-237667	—	47184	J
51133D	A-235387	C-237667	—	47184	J	51160E	B-236358	C-237667	C-236425	47184	J
51133E	B-236358	C-237667	C-236425	47184	J	51161D	A-235387	C-237667	—	47184	
51134B	A-235387	C-237667	—	47184		51161E	B-236358	C-237667	C-236425	47184	
51134C	A-235387	C-237667	—	47184		51162D	A-235387	C-237667	—	47184	S
51134E	B-236358	C-237667	C-236425	47184		51162E	B-236358	C-237667	C-236425	47184	S
51135A	A-235387	C-237667	—	47184		51163D	A-235387	B-237345	—	47184	J
51135C	A-235387	C-237667	—	47184		51163E	B-236358	B-237345	—	47184	J
51135D	A-235387	C-237667	—	47184		51164D	A-235387	B-237345	—	47184	J
51135E	B-236358	C-237667	C-236425	47184		51164E	B-236358	B-237345	—	47184	J
51136B	A-235387	C-237667	—	47184	J, S	51165D	A-235387	C-237667	—	47184	J, S
51136D	A-235387	C-237667	—	47184	J, S	51165E	B-236358	C-237667	C-236425	47184	J, S
51136E	B-236358	C-237667	C-236425	47184	J, S	51166D	A-235387	C-237667	—	47184	
51137A	A-235387	C-237667	—	47184	J, S	51166E	B-236358	C-237667	C-236425	47184	
51137D	A-235387	C-237667	—	47184	J, S	51167D	A-235387	C-237667	—	47184	J, S
51137E	B-236358	C-237667	C-236425	47184	J, S	51167E	B-236358	C-237667	C-236425	47184	J, S
51138A	A-235387	C-237667	—	47184		51168D	A-235387	C-237667	—	47184	S
51138C	A-235387	C-237667	—	47184		51169D	A-235387	C-237667	—	47184	
51138D	A-235387	C-237667	—	47184		51169E	B-236358	C-237667	C-236425	47184	
51138E	B-236358	C-237667	C-236425	47184		51170D	A-235387	C-237667	—	47184	J
51139A	A-235387	C-237667	—	47184	J, S	51170E	B-236358	C-237667	—	47184	J
51139D	A-235387	C-237667	—	47184	J, S	51171E	B-236358	C-237667	C-236425	47184	
51139E	B-236358	C-237667	C-236425	47184	J, S	51173E	B-236358	C-237667	C-236425	47184	
51141C	A-235387	C-237667	—	47184		51174E	B-236358	B-237345	—	47184	J
51141D	A-235387	C-237667	—	47184		51175E	B-236358	C-237667	C-236425	47184	J
51141E	B-236358	C-237667	C-236425	47184		51176E	B-236358	C-237667	C-236425	47184	
51142C	A-235387	C-237667	—	47184		51177E	B-236358	C-237667	C-236425	47184	J
51142D	A-235387	C-237667	—	47184		51178E	B-236358	C-237667	C-236425	47184	S
51143A	A-235387	C-237667	—	47184	J, S	51179E	B-236358	C-237667	C-236425	47184	J
51143D	A-235387	C-237667	—	47184	J, S	51180E	B-236358	C-237667	C-236425	47184	J
51144A	A-235387	C-237667	—	47184	S	51181E	B-236358	C-237667	C-236425	47184	J
51144D	A-235387	C-237667	—	47184	S	51182E	B-236358	C-237667	C-236425	47184	J
51144E	B-236358	C-237667	C-236425	47184	S	51183E	B-236358	C-237667	C-236425	47184	
51145C	A-235387	C-237667	—	47184		51184E	B-236358	C-237667	C-236425	47184	
51145D	A-235387	C-237667	—	47184		51185E	B-236358	C-237667	C-236425	47184	J, S
51145E	B-236358	C-237667	C-236425	47184		51186E	B-236358	B-237345	—	47184	J
51146A	A-235387	C-237667	—	47184	S	51188E	B-236358	B-237345	—	47184	J
51146D	A-235387	C-237667	—	47184	S	51189E	B-236358	C-237667	C-236425	47184	
51146E	B-236358	C-237667	C-236425	47184	S	51190E	B-236358	C-237667	C-236425	47184	S
51147A	A-235387	C-237667	—	47184	J, S	51191E	B-236358	C-237667	C-236425	47184	
51147D	A-235387	C-237667	—	47184	J, S	51192E	B-236358	C-237667	C-236425	47184	S
51148A	A-235387	C-237667	—	47184	S	51193E	B-236358	C-237667	C-236425	47184	
51148D	A-235387	C-237667	—	47184	S	51194E	B-236358	C-237667	C-236425	47184	
51148E	B-236358	C-237667	C-236425	47184	S	51195E	B-236358	C-237667	C-236425	47184	J
51149E	A-235387	B-237345	—	47184	J	51196E	B-236358	B-237345	—	47184	J
51149E	B-236358	B-237345	—	47184	J	51197E	B-236358	C-237667	C-236425	47184	S
51150D	A-235387	C-237667	—	47184	L	51198E	B-236358	C-237667	C-236425	47184	
51151D	A-235387	C-237667	—	47184	J, S	51199E	B-236358	B-237345	—	47184	J
51151E	B-236358	C-237667	C-236425	47184	J, S	51200E	B-236358	B-237345	—	47184	J
51152D	A-235387	C-237667	—	47184		51201E	B-236358	C-237667	C-236425	47184	J
51152E	B-236358	C-237667	C-236425	47184		51202E	B-236358	B-237345	—	47184	J
51153D	A-235387	C-237667	—	47184		51203E	B-236358	C-237667	C-236425	47184	S
51153E	B-236358	C-237667	C-236425	47184		51204E	B-236358	C-237667	C-236425	47184	
51154D	A-235387	C-237667	—	47184		51205E	B-236358	B-237345	—	47184	J
51154E	B-236358	C-237667	C-236425	47184		51206E	B-236358	C-237667	C-236425	47184	
51155D	A-235387	C-237667	—	47184	J	51207E	B-236358	C-237667	C-236425	47184	J, S
51155E	B-236358	C-237667	C-236425	47184	J	51208E	B-236358	C-237667	C-236425	47184	J, S
51156D	A-235387	C-237667	—	47184		51209E	B-236358	C-237667	—	47184	J, S
51156E	B-236358	C-237667	C-236425	47184		51210E	B-236358	B-237345	—	47184	J
51157D	A-235387	C-237667	—	47184	S	51211E	B-236358	B-237345	—	47184	J, S



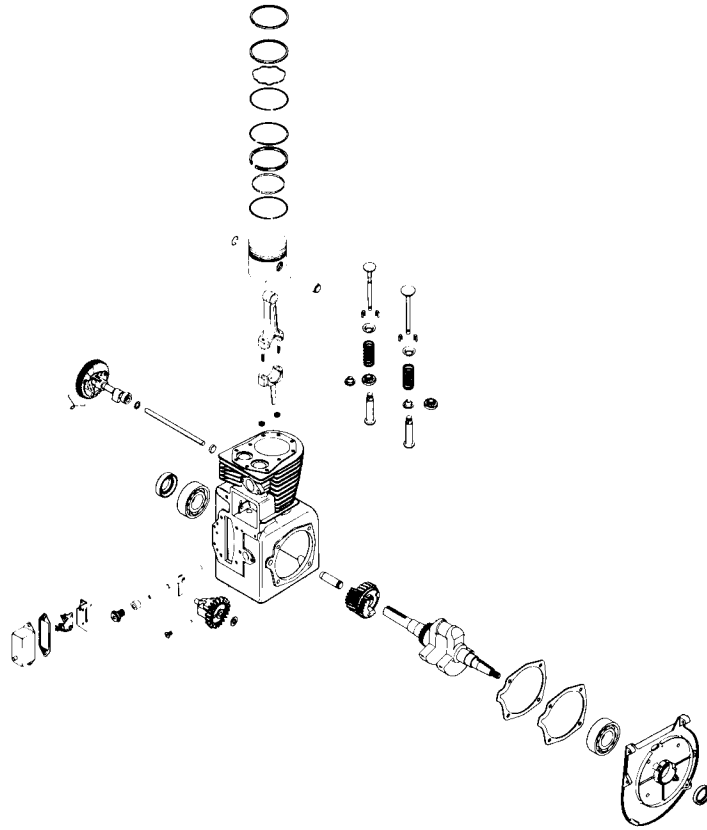
# GENERATOR SPECIFICATIONS

# K241

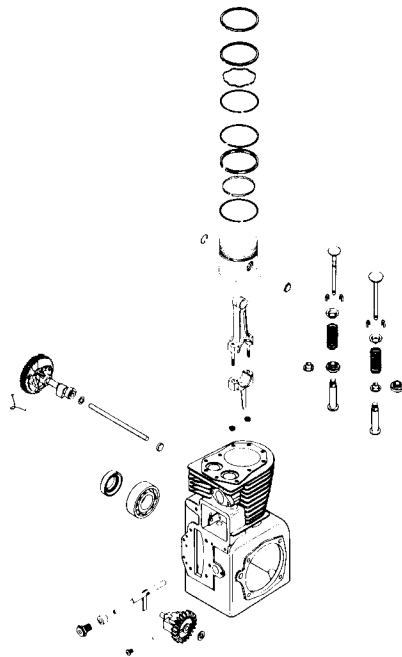
Spec. No.	Crankshaft	Miniblock	Short Block	Universal Spec. No.	Service Eng. Modification	Spec. No.	Crankshaft	Miniblock	Short Block	Universal Spec. No.	Service Eng. Modification
51212E	B-236358	B-237345	—	47184	J	51278E	B-236358	C-237667	C-236425	—	
51213E	B-236358	B-237345	—	47184	J	51279E	B-236358	B-237345	—	—	
51214E	B-236358	B-237345	—	47184	J	51280E	B-236358	B-237872	47 522 26	—	
51215E	B-236358	C-237667	C-236425	47184		51281E	B-236358	C-237667	C-236425	—	
51217E	B-236358	C-237667	C-236425	47184	S	51282E	B-236358	B-237872	47 522 26	—	
51218E	B-236358	C-237667	C-236425	47184	J	51283E	B-236358	B-237345	—	47184	
51219E	B-236358	B-237345	—	47184	J	51284E	B-236358	C-237667	C-236425	47184	S
51220E	B-236358	B-237345	—	47184	J, S	51285E	B-236358	B-237872	47 522 26	—	
51221E	B-236358	C-237667	C-236425	47184	J	51286E	B-236358	C-237667	—	47184	J, S
51222E	B-236358	C-237667	C-236425	47184	S	51287E	B-236358	C-237667	—	47184	J, S
51223E	B-236358	C-237667	C-236425	47184	J	51288E	B-236358	C-237667	C-236425	47184	
51224E	B-236358	C-237667	C-236425	47184	S	51289E	B-236358	B-237872	47 522 26	—	
51225E	B-236358	C-237667	C-236425	47184	J, S	51290E	B-236358	B-237872	47 522 26	—	
51226E	B-236358	B-237345	—	47184	J	51291E	B-236358	C-237667	C-236425	47184	
51227E	B-236358	C-237667	C-236425	47184							
51228E	B-236358	C-237667	C-236425	47184	J						
51229E	B-236358	C-237667	C-236425	47184	J						
51230E	B-236358	B-237345	—	47184	J						
51231E	B-236358	B-237345	—	47184	J						
51232E	B-236358	B-237345	—	47184	J						
51233E	B-236358	C-237667	C-236425	47184	J, S						
51234E	B-236358	C-237667	C-236425	47184	J, S						
51235E	B-236358	C-237667	C-236425	47184							
51236E	B-236358	B-237345	—	47184	J						
51237E	B-236358	C-237667	C-236425	47184	J, S						
51238E	B-236358	B-237345	—	—							
51239E	B-236358	C-237667	C-236425	47184	L						
51240E	B-236358	C-237667	C-236425	47184							
51241E	B-236358	C-237667	C-236425	47184							
51242E	B-236358	C-237667	C-236425	47184							
51243E	B-236358	C-237667	C-236425	47184	J, S						
51244E	B-236358	C-237667	C-236425	47184	S						
51245E	B-236358	B-237872	47 522 26	—							
51246E	B-236358	C-237667	C-236425	47184	J, S						
51247E	B-236358	C-237667	C-236425	47184							
51248E	B-236358	B-237872	—	—							
51249E	B-236358	B-237345	47 522 26	47184	J, S						
51250E	B-236358	B-237872	—	—							
51251E	B-236358	C-237667	47 522 26	47184	J, S						
51252E	B-236358	C-237667	C-236425	47184	S						
51253E	B-236358	B-237872	47 522 26	—							
51254E	B-236358	C-237667	C-236425	47184							
51255E	B-236358	C-237667	C-236425	47184	L						
51256E	B-236358	B-237872	47 522 26	—							
51257E	B-236358	C-237667	C-236425	47184	S						
51258E	B-236358	C-237667	C-236425	47184	J, S						
51259E	B-236358	C-237667	C-236425	47184	L						
51260E	B-236358	B-237872	47 522 26	—							
51261E	B-236358	C-237667	C-236425	47184							
51262E	B-236358	C-237667	C-236425	47184	J						
51263E	B-236358	C-237667	C-236425	47184							
51264E	B-236358	B-237872	47 522 26	—							
51265E	B-236358	C-237667	C-236425	47184							
51266E	B-236358	B-237872	47 522 27	—							
51267E	B-236358	B-237345	—	47184	J, L, S						
51268E	B-236358	C-237667	C-236425	47184	S						
51269E	B-236358	C-237667	C-236425	47184	S						
51270E	B-236358	C-237667	C-236425	47184	J, S						
51271E	B-236358	C-237667	C-236425	47184							
51272E	B-236358	C-237667	C-236425	47184							
51273E	B-236358	C-237667	C-236425	—							
51274E	B-236358	C-237667	C-236425	—							
51275E	B-236358	B-237345	—	—							
51276E	B-236358	C-237667	C-236425	—							
51277E	B-236358	B-237345	—	—							

# K241

## Components of SHORT BLOCK



## Components of MINIBLOCK



## SERVICE ENGINES

Listed below are the available K241 model Service Engines and an indication which parts are furnished and which have to be transferred from the original engine.

NOTE: Some of the Service Engines in the listing beginning on Page 2, are followed by a superior 2 indicating that 4 spacers are required the shim the pilot up to the original block face.

<u>Service Engine No.</u>	<u>Description</u>
47176	1-1/8" diameter, 3-25/32" extension, 5-5/8" & 7-3/4" bolt circle, 7" pilot.
47183	1" diameter, 3-25/32" extension, 5-5/8" & 7-3/4" bolt circle, 6-7/16" pilot.
47184	Generator Set.
47186	1-1/8" diameter, 3-25/32" extension, 5-5/8" & 7-3/4" bolt circle, 6-7/16" pilot.
47187	1" diameter, 3-25/32" extension, 5-5/8" & 7-3/4" bolt circle, 7" pilot.
47460	Standard crankshaft, 7" pilot, 15 amp. alternator—battery ignition for high mount starting motor.
47462	Gear Reduction.
46489	1" diameter, 3" extension, 5-5/8" & 7-3/4" bolt circle, K241A—battery ignition for motor generator.
46700	International Harvester motor generator.

## Components—Furnished/Transferred

(Indicated by Parts Group)

<u>PARTS GROUP</u>		
<u>No.</u>	<u>Name</u>	<u>Instructions</u>
1	<b>AIR INTAKE</b>	Dry Type Air Cleaner furnished. Transfer or order other types only when necessary to retain for application involved.
2	<b>BAFFLES &amp; SHROUD</b>	High Clearance Type furnished. Transfer or order other types when necessary to retain for application involved.
4	<b>CAMSHAFT &amp; VALVES</b>	ACR Camshaft. Stellite exhaust valve and exhaust valve rotator furnished.
5	<b>CARBURETOR</b>	Side draft gasoline carburetor furnished. Transfer automatic choke and/or other components as required.
6	<b>CLUTCH</b>	Not furnished.
7	<b>CRANKCASE</b>	Service Engines have 3-3/8" bore and 3-1/4" stroke with the exception of specification Nos. 46489 and 46700 which have a 3-1/4" bore and a 2-7/8" stroke. Other features described above.
8	<b>CRANKSHAFT</b>	For details refer to Crankshaft Manual TP-2179. NOTE: On some applications, crankshaft length may have to be cut to length required. Balance Gears in all except specification nos. 47184, 46489 and 46700.
9	<b>CYLINDER HEAD</b>	Standard gasoline head furnished.
10	<b>DIPSTICK</b>	Threaded flange type furnished on all except specification nos. 47184 and 46700 which have oil fill tube. NOTE: Specs with balance gears cannot use shoulder mounted dipsticks.
11	<b>ELECTRIC START</b>	Not furnished. Transfer original components.

**Components—Furnished/Transferred**

(Indicated by Parts Group)

<u>No.</u>	<u>PARTS GROUP</u> <u>Name</u>	<u>Instructions</u>
12	<b>EXHAUST</b>	Can type furnished on all except specification 47184 which has elbow only. Order other types only when necessary to retain for application involved.
13	<b>FLYWHEEL</b>	Provisions for front drive shaft or retractable starter drive cup screen on all. Spec 47460 only has ring gear for starting motor.
14	<b>FUEL PUMP</b>	Furnished on all except specification 46700. Transfer original components as necessary for application
15	<b>FUEL TANK</b>	Not furnished, transfer original components.
16	<b>GEAR REDUCTION</b>	Not furnished, transfer from original engine or order and install parts as called for in original spec. Refer to K241 Parts Manual.
17	<b>GOVERNOR</b>	Variable speed furnished on all except specification 47184 which has constant speed. Transfer other types only if necessary to retain special features.
18	<b>IGNITION</b>	Flywheel magneto type ignition furnished on all except specifications 46489, 46700, 47460. 47460 has battery ignition with 15 amp alternator* charging system. 46489 and 46700 have battery ignition—charging provided by motor-generator which must be transferred.
19	<b>INSTRUMENT PANEL</b>	Not furnished, transfer from original engine or order and install parts as called for in original spec. Refer to K241 Parts Manual.
21	<b>OIL PAN</b>	Oil drain on side opposite carburetor on all except specification 46489. If oil drain required on carburetor side, reverse position of oil pan. Two quart capacity on all except specification 46489 which has 1-3/4 quart capacity.
22	<b>PISTON &amp; ROD</b>	Standard for 3-3/8" x 3-1/4" bore and stroke on all except specification 46489 which has 3-1/4" x 2-7/8" bore and stroke.
23	<b>RETRACTABLE STARTER</b>	Not furnished. Transfer blower housing, starter and cup from original engine or order and install #237692 kit. All rope start versions can be converted to retractable start with this kit.
24	<b>REMOTE THROTTLE</b>	Not furnished, transfer original components.
31	<b>HIGH TEMPERATURE CUTOUT</b>	Not furnished. Transfer from original engine or order and install Part #47 703 01.

\*A 15 amp rectifier-regulator (#41 403 06) and connector (#237429) must be used with this system.

## SERVICE ENGINE MODIFICATIONS

As indicated in the listing beginning on Page 2, some modifications may be required to make a Service Engine compatible with an original engine.

The codes in the Engine Modification column indicate the required modification and are explained below:

<b>Modification Code</b>	<b>Definition &amp; Instructions</b>
<b>A</b>	<b>GAS FUEL SYSTEM (Industrial Engines)</b> Remove carburetor and cylinder head from Service Engine and install Carburetor #B-237199, Cylinder Head #47 015 04 and transfer remaining gas fuel system components. For complete system, order kit #236604.
<b>C</b>	<b>THREADED FLANGE DIPSTICK</b> Install on carburetor side of engine. Transfer dipstick and plug as desired.
<b>D</b>	<b>OIL FILL TUBE</b> Shoulder mounted dipsticks cannot be used due to interference with balance gears. Refer to K241 Parts Manual.
<b>E</b>	<b>BREAKERLESS IGNITION</b> Recommend using the 15 amp alternator-battery ignition system furnished rather than converting to breakerless.* If breakerless ignition is required, convert using kit #237687.
<b>F</b>	<b>HIGH TEMPERATURE CUTOUT</b> Transfer from original engine or order and install part as called for in original spec. Refer to K241 Parts Manual.
<b>G</b>	<b>LOW MOUNT STARTING MOTOR</b> Engine is equipped with high mount blower housing. Transfer blower housing and starting motor or order and install kit #221521.
<b>H</b>	<b>GEAR REDUCTION</b> Transfer from original engine or order and install parts as called for in original spec. Refer to K241 Parts Manual.
<b>J</b>	<b>AIR VAC COOLING (Generator Sets)</b> Install kit #237689. Do not transfer parts from original engine.
<b>K</b>	<b>CLUTCH</b> Transfer from original engine or order and install parts as called for in original spec. Refer to K241 Parts Manual.
<b>L</b>	<b>SIDE MOUNT FUEL TANK</b> Transfer from original engine or order and install kit #237690.
<b>M</b>	<b>TOP MOUNT FUEL TANK</b> Transfer from original engine or order and install kit #237691.
<b>N</b>	<b>RETRACTABLE STARTER</b> Transfer blower housing, starter and cup from original engine or order and install kit #237692.
<b>O</b>	<b>MOTOR GENERATOR</b> Transfer from original engine or order and install parts as called for in original spec. Refer to K241 Parts Manual.
<b>P</b>	<b>INSTRUMENT PANEL</b> Transfer from original engine or order and install parts as called for in original spec. Refer to K241 Parts Manual.

\*In addition to the start switch, a single pole-single throw switch must be installed between the positive sides of the ignition coil and battery (use 151510 switch, 151511 ring, and 151508 plate). A 15 amp rectifier-regulator (#41 403 06) must be used with this system.